



# 产品手册

## Product Catalogue



# SUPER PUMP

名称：石家庄华强石泵工矿设备有限公司

地址：河北石家庄槐安西路100号

电话：0311-80695868/69

传真：0311-66692011

网址：[www.sjzhqsb.com](http://www.sjzhqsb.com)

邮箱：[sale@sjzhqsb.com](mailto:sale@sjzhqsb.com)

Company: Shijiazhuang Minerals Equipment Co., Ltd

Address: No. 100, Huaian West Road, Shijiazhuang, Hebei, P.R.C

Tel: 0311-66692398/89873275

Fax: 0311-66692011

Webpage: [www.cnminerals.com](http://www.cnminerals.com)

Email: [sales@cnminerals.com](mailto:sales@cnminerals.com)

石家庄华强石泵工矿设备有限公司  
Shijiazhuang Minerals Equipment Co., Ltd

## 企业简介

## Enterprise Introduction

石家庄华强石泵工矿设备有限公司是集设计制造渣浆泵、杂质泵于一体的专业厂家。公司凭借雄厚的实力，以人为本的理念，聚集了一批高素质的科技和管理人才，在渣浆泵的研制和应用方面有着多年的经验，并在引进和吸收国内外先进技术的基础上形成了性能范围覆盖面完善的产品系列。主要产品有十几个系列，一百多个品种，上千种型号。

公司现有铸造、机加工、锻焊、热处理、装配等车间。铸件全部采用树脂砂造型，炉前成分检验采用读光谱分析仪，结合先进的耐磨合金冶炼技术、铸造工艺和热处理工艺，保证铸件表面光洁、铸件内部组织致密和质量可靠。数控立车、镗铣加工中心和控切割机床可加工出性状复杂、精密度要求高的零部件。采用先进的高质刀具和合理的切削工艺，很好地解决了高硬度耐磨材料的工问题，大幅度地提高了耐磨铸件的精确度和加工效率。

公司具有完善的质量保证体系，推行全面的质量管理方略。先进科学的质量检测技术装置（如炉前化学实验设备、金相分析仪、直读光谱仪、高低压试泵系统、耐磨材料试验装置）的支持下，进一步加强从原材料化学成分分析、无理性能检测到每个零部件和每道工序的质量监督、检验控制，从而确保了产品质量。同时公司优秀的技术人员还可根据客户实际工况需求，对材质进行调整，使产品能够在强腐蚀、腐蚀的特殊工况条件下良好运行。最大限度地满足用户的需求是我们永恒的追求。华强石泵人始终坚持“一流的质量，一流的技术、一流的服务”的经营理念，以其良好的信誉和品质，以客户需求为关注焦点，凭借我们积极开拓进取的精神，保证了完善的渣浆泵质量，并不断发展、创新。

Shijiazhuang Minerals Equipment Co., Ltd is a leading professional slurry pump manufacturer in China. We are engaged in heavy duty and severe duty pumps. Manufactured to be the finest standards, our pumps can guarantee a longer life, higher performance, ease of operation and maintenance. They are widely used in mining, construction, metallurgy, power plant, sewage water treatment, dredging, and chemical and petroleum industries. With decades of development, we have built a complete system of slurry pump design, selection, application and maintenance. We devote to offering the solutions of slurry pump application for customers all over the world. Our team consists of a global pool of highly dedicated people working closely together to ensure our customers' success. People here are all armed with outstanding expertise, lofty commitment and strong drive to make profitable advancements, reach new heights in service and deliver real results. With a complete quality assurance system and strict manufacturing processes, we are here to offer our clients the first-class products of super quality with perfect after-sale service. Welcome to Shijiazhuang Minerals Equipment Co., Ltd.

## 产品目录

## CONTENTS

<b>SH\SBH\SL 型渣浆泵</b>	1-17
SH\SBH\SL Slurry Pumps	
<b>SV/SVR 型液下泵</b>	18-22
SV/SVR Sump Pumps	
<b>SG/SHG 型砂砾泵</b>	23-26
SG/SHG Gravel Pumps	
<b>SF 型泡沫泵</b>	27-31
SF Froth Pump	
<b>TL ( R ) 型脱硫泵</b>	32-37
TL(R) Desulfurization Pump	
<b>ZGB(P) 型渣浆泵</b>	38-46
ZGB(P) Slurry Pump	
<b>ZJ 型渣浆泵</b>	47-69
ZJ Slurry Pump	

## SH\SBH\SL 型渣浆泵

### SH\SBH\SL Slurry Pumps

#### 产品特点

#### Product Features

SH\SBH 型泵为悬臂、卧式离心渣浆泵。适用于冶金、矿山、煤炭、电力、建材等工业部门输送强磨蚀、高浓度渣浆。该类型泵也可以多级串联使用。

SH 型泵的泵体具有可更换的耐磨金属内衬或橡胶内衬，叶轮采用耐磨金属或橡胶材料。SBH 型泵的泵体内衬和叶轮采用耐磨金属。

SH\SBH 型泵的轴封可采用填料密封或离心式密封。泵的吐出口位置可根据需要按45°间隔，旋转八个不同的角度安装使用。

Type SH\SBH pumps are cantilevered, horizontal, centrifugal slurry pumps. They are designed for handling abrasive, high density slurries in the metallurgical, mining, coal, power, building material and other industrial departments etc. The pumps of this type also may be installed in multistage series.

The frame plates for type SH pumps such as interchangeable, hard metal or pressure moulded elastomer liners. The impellers are made of hard metal or pressure moulded elastomer liners. The frame plate liner and impeller for SBH pump are adoptable of hard metal only.

The shaft seals for type SH\SBH pumps may be adoptable of gland seal or centrifugal shaft seal. The discharge branch can be positioned at intervals of 45 degrees by request and oriented to any eight positions to suit installations and applications.



SL型泵为悬臂、卧式离心渣浆泵，适用于冶金、矿山、煤炭、建材等工业部门输送低磨蚀、低浓度渣浆。该型泵的轴封，采用了填料密封和离心密封两种型式。

该型泵采用了高转速运转，从而体积小，节约了占地面积。泵体具有可更换的耐磨金属内衬或橡胶内衬，叶轮采用耐磨金属或橡胶材料。

Type SL pumps are cantilevered, horizontal, centrifugal slurry pumps. They are suitable for delivering low density slurries for metallurgical, mining, coal and building material departments. The shaft seal adopts both gland seal and centrifugal seal.

Type SL pumps operate in high speed with small volumes to save floor area. The frame plates have changeable, wear-resistant metal liners or rubber liners and the impellers are made of wear-resistant metal or rubber.



诚信为本，客户至上

敬业，创新，竞争，奉献

以科研为先导 以质量为保障

为客户提供持续满意的产品

The leader in the design,

manufacture and application of

heavy duty, centrifugal slurry pumps

## 应用领域

Applications

SH、SBH、SL型渣浆泵在各种不同行业的应用：

氧化铝 Alumina  
石棉 Asbestos  
铝土矿 Bauxite  
建材 Building Products  
水泥 Cement  
煤炭 Coal  
化学肥料 Chemical Fertilizer  
钨锰矿 Wolfram  
水处理 Water & Sewage Treatment

铜矿 Copper  
电业 Electric Utilities  
金矿 Gold  
铁矿 Iron Ore  
铅锌矿 Lead & Zinc  
矿砂 Mineral Sands  
钼 Molybdenum  
糖 sugar  
锡矿 Tin

石油 Oil Shale  
磷酸盐 Phosphate  
碳酸钾 Potash  
纸浆 Paper & Pulp  
砂砾 Sand & Gravel  
银矿 Silver  
钢铁 Steel  
钛矿 Titanium  
烟草 Tobacco



SH/50C 渣浆泵在氧化铝工厂  
输送腐蚀性渣浆。  
A SH/50C slurry pump  
handling hot caustic slurry in  
an alumina plant.



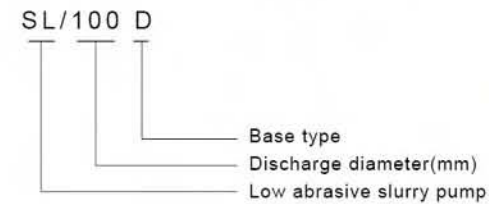
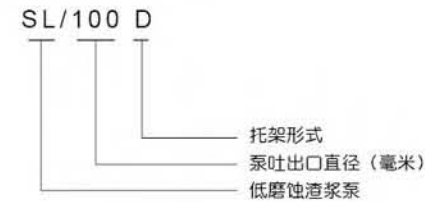
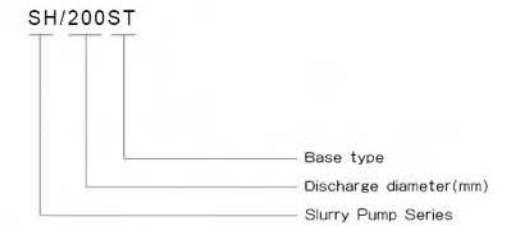
两台 150ZGB 高扬程渣浆泵串联，  
输送浓缩和底流煤浆。  
Two 150ZGB high head slurry  
pumps in series pumping coal  
tailings direct from a thickener  
underflow.



SH/150E渣浆泵在洗煤厂的应用。  
A SH/150E slurry pump delivering  
fine coal to dewatering screen in  
a coal washery.

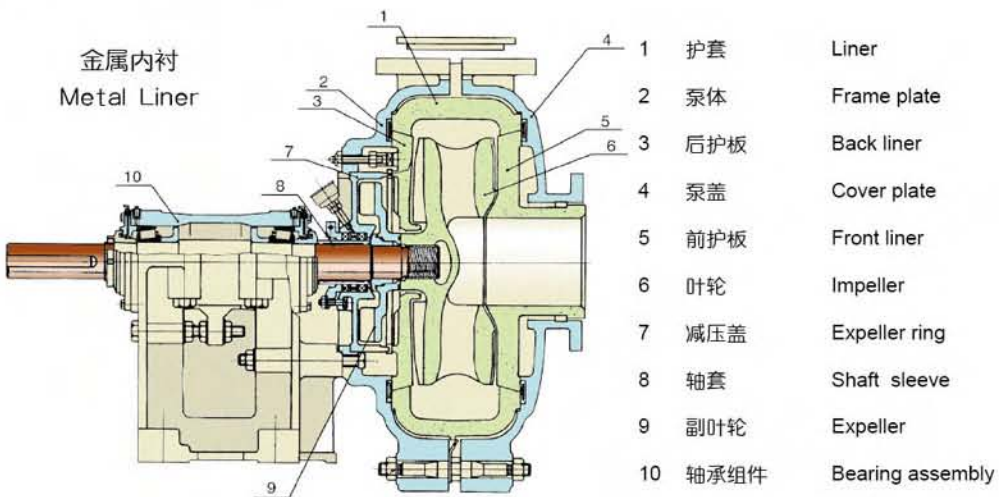
## 型号意义

Type Notation



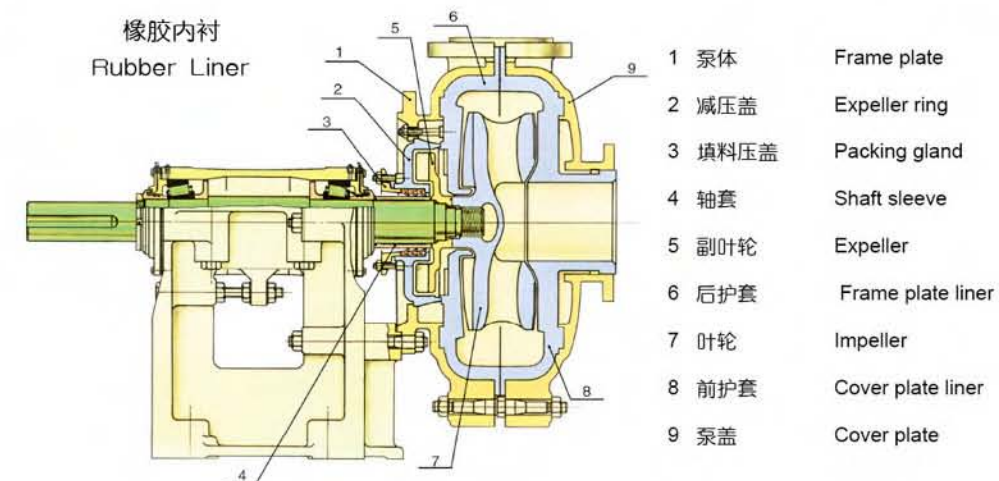
## 结构设计

Construction Design



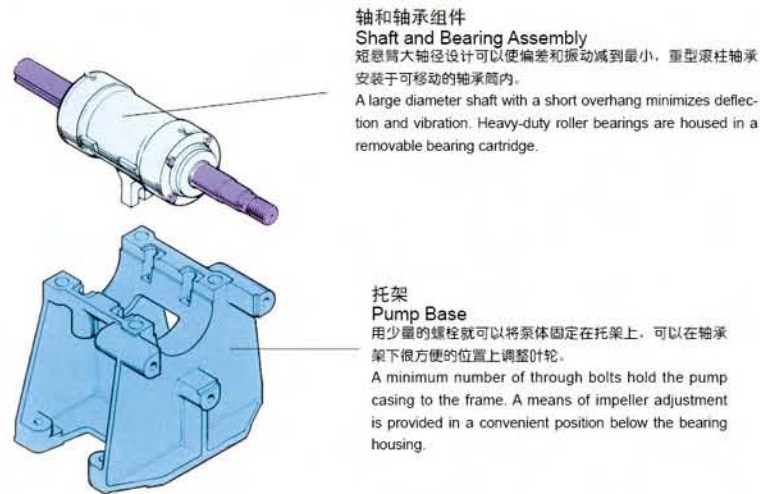
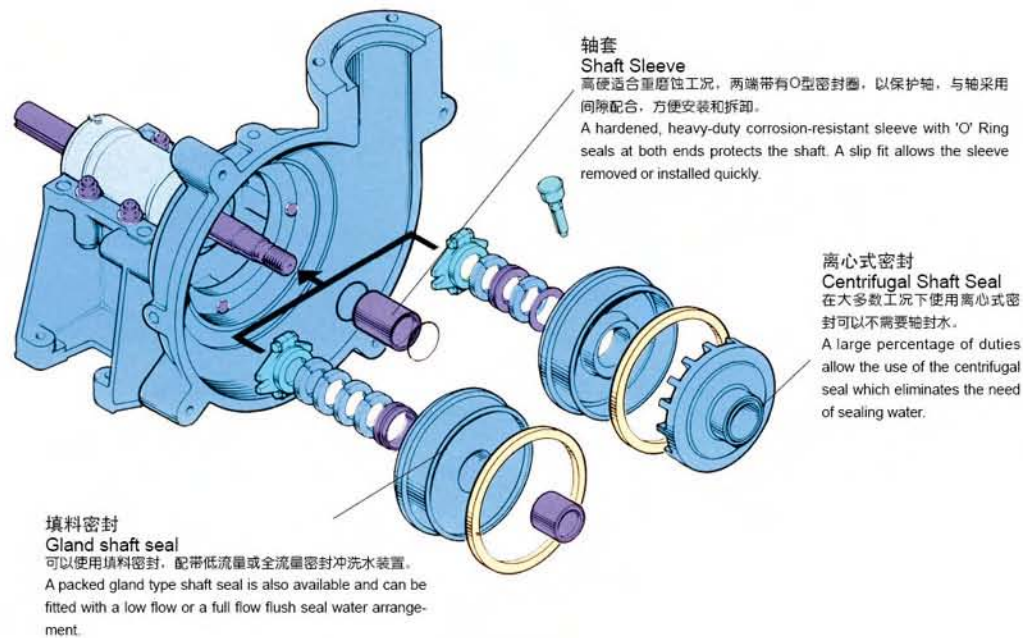
## 结构设计

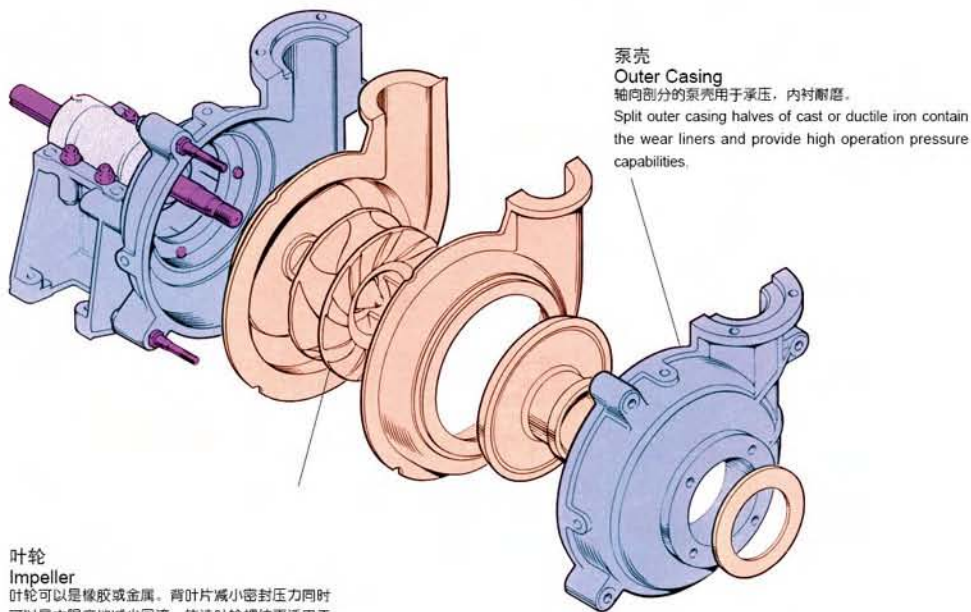
Construction Design



## 维修方便，寿命长的结构设计

Designed and built for long life with low maintenance





**泵壳**  
Outer Casing  
轴向剖分的泵壳用于承压，内衬耐磨。  
Split outer casing halves of cast or ductile iron contain the wear liners and provide high operation pressure capabilities.

**叶轮**  
Impeller  
叶轮可以是橡胶或金属。背叶片减小密封压力同时可以最大限度地减少回流。铸造叶轮螺纹更适用于渣浆工况。  
The impeller may be either moulded elastomer or hard metal. Deep side sealing vanes relieve seal pressure and minimize recirculation. Cast-in impeller threads are better suited for slurries.

金属内衬和橡胶内衬可互换  
Interchangeable Hard Metal and Moulded Elastomer Liners

金属内衬配合端面具有一定的锥度，保证装配过程中精确对准，并保证部件易于拆卸或更换。  
Mating faces in hard metal liners are tapered to allow positive alignment during assembly and allow components to be easily removed for replacement.



利用水压进行密封的护套密封垫使配合端面的密封绝对可靠。  
Hydraulic seal rings give positive sealing between mating faces.

## 轴封模块设计

### Shaft Seal Module Design

SHISBHISL 系列泵可采用多种轴封型式：副叶轮动力密封、填料密封、机械密封及各类特殊组合型密封。

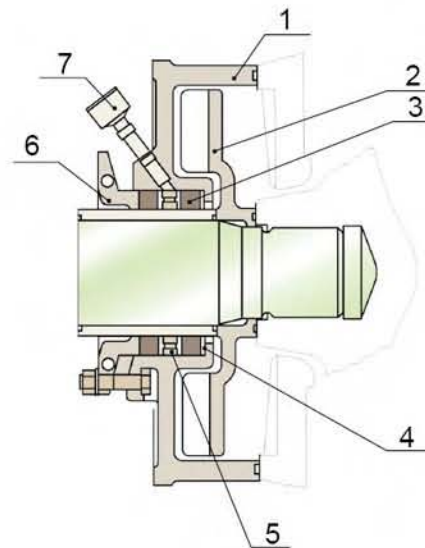
Type SHISBHISL slurry pumps adopt many kinds of sealing systems: expeller drive seal, packing seal, mechanical seal and all sorts of special combined seals.

### 副叶轮动力密封

#### Expeller drive seal

利用叶轮与串联的副叶轮产生的压力密封，填料或唇口密封圈作为停车密封。

Use pressure seal produced by impeller and expeller in series, packing or lip sealing ring for shut down seal.



1	减压盖	Expeller ring
2	副叶轮	Expeller
3	填料	Packing
4	填料垫	Neck Ring
5	水封环	Lantern Ring
6	填料压盖	Packing gland
7	油杯	Grease Cup

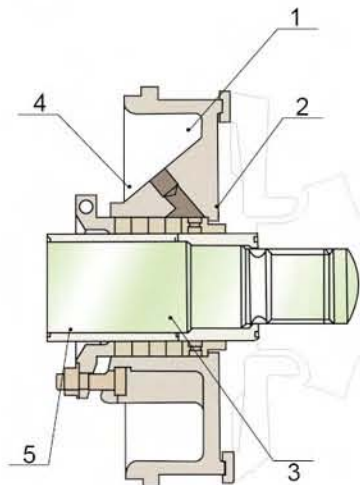
副叶轮密封  
Expeller seal

### 填料密封

常规轴封形式，适用于各种工况条件，可配用聚四氟乙烯填料、石墨填料等特殊材质，用于腐蚀性或高温条件下。可配用喷焊陶瓷轴套，适用于强磨蚀工况。

### Packing seal

The routine sealing systems are suitable for various conditions and can be used in the corrosin or high temperature conditions such as polytetrafluoroethylene packing, graphite packing and etc. It also can be used in strong abrasive condition duty with shaft ceramic sleeve of spray weld.



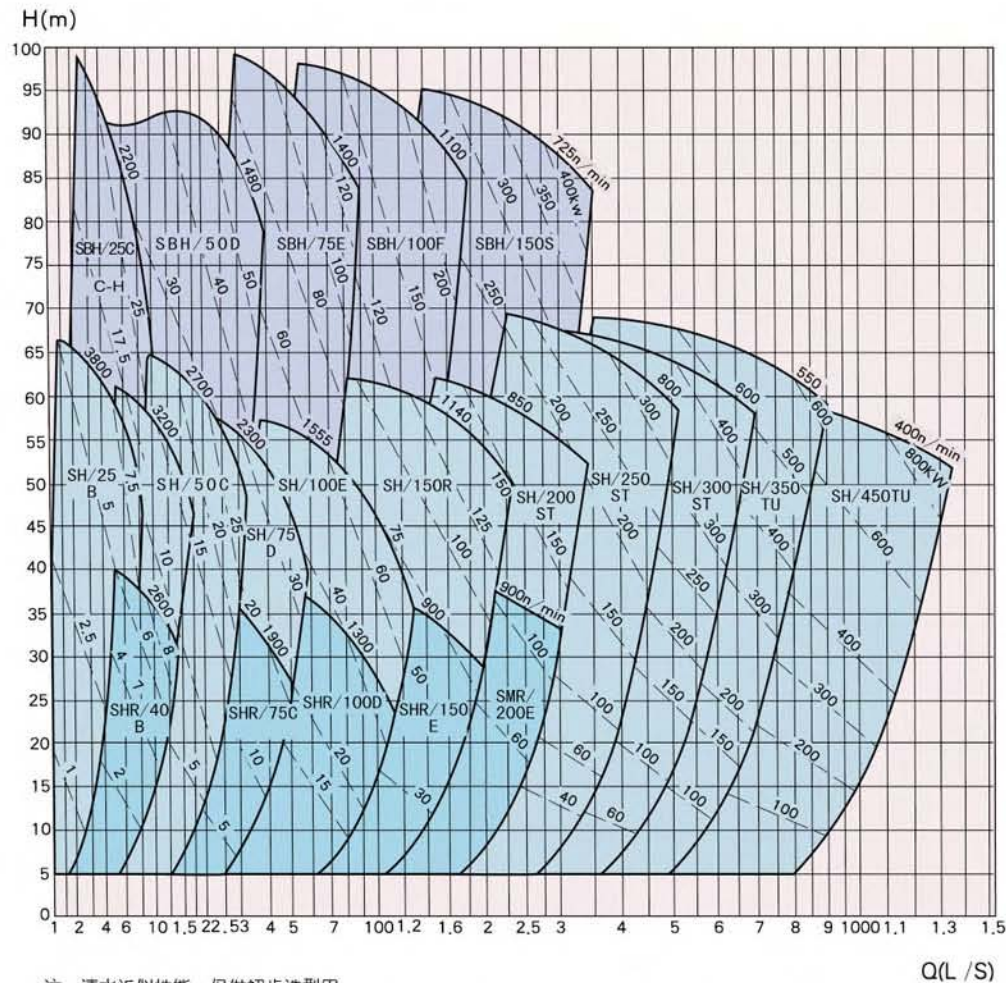
- |   |      |                    |
|---|------|--------------------|
| 1 | 填料箱  | Packing box        |
| 2 | 前水封环 | Lantern Restrictor |
| 3 | 填料   | Packing            |
| 4 | 填料压盖 | Packing gland      |
| 5 | 轴套   | Shaft sleeve       |

填料密封  
Packing seal

### 型谱及性能参数

Selection Chart and Performance

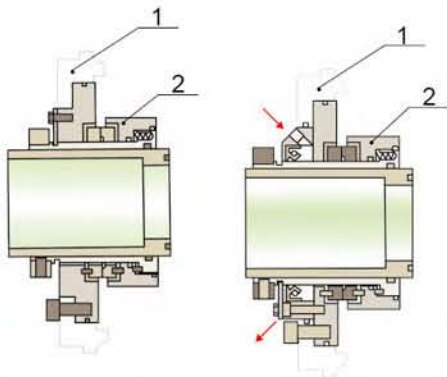
SH\SBH 型泵  
Type SH\SBH



注：清水近似性能，仅供初步选型用

Note: Approximate performance for clear water to be used for primary selection only

Q(L / S)



- |   |      |                          |
|---|------|--------------------------|
| 1 | 静环组件 | Stationary ring assembly |
| 2 | 动环组件 | Movable ring assembly    |

### 机械密封

国际领先的密封技术，无泄漏的密封效果。集装式结构，安装与更换方便。不同的结构型式适应不同的工况条件。摩擦副材料采用高硬度陶瓷及合金材料，机械密封和密封箱设计与配合符合介质流动状态，因而具有较高的抗磨性和抗震性，在各种恶劣工况下均能保证顾客满意的密封效果。

### Mechanical seal

World-advanced sealing technique without sealing leakage, integrating construction, convenient installation & replacement, various constructions suit for all kinds of conditions. High hardness ceramic and alloy are adopted for material of friction parts. Design & matching of mechanical seal & sealing box is suitable for fluid state. It possesses high abrasive resistance & shakeproof to guarantee that sealing effect can be satisfied by customers in various conditions.

## SH\SBH 型泵性能参数

Performance Parameter of SH、SBH Pump

型号 TYPE	允许配代 最大功率 ALLOWABLE MATING MAX. POWER(KW)	材质 MATERIAL		清水性能 CLEAR WATER PERFORMANCE						叶轮 IMPELLER	
		护套 LINER	叶轮 IMPEL	流量 Q CAPACITY		扬程 HEAD H (m)	转速 SPEED n (r/min)	最高效率 MAX. EFF (%)	汽蚀余量 NPSH (m)	叶片数 NO. OF VANES	叶轮直径 IMPEL. DIA. (mm)
				(m <sup>3</sup> /h)	(l/s)						
SH/25B	15	M	M	12.6~28.8	3.5~8	6~68	1200~3800	40	2~4	5	152
		RU	RU	10.8~25.2	3~7	7~52	1400~3400	35		3	
SBH/25C	30	M	M	16.2~34.2	4.5~9.5	25~92	1400~2200	20	2~5.5	5	330
SH/40B	15	M	M	32.4~72	9~20	6~58	1200~3200	45	3.5~8	5	184
		RU	RU	25.2~54	7~15	5.5~41	1000~2600	50	2.5~5		178
SH/50C	30	M	M	39.6~86.4	11~24	12~64	1300~2700	55	4~6	5	214
		RU	RU	36~75.6	10~21	13~46	1300~2300	60	2~4		213
SBH/50D	60	M	M	68.4~136.8	19~38	25~87	850~1400	47	3~7.5	5	457
SH/75C	30	M	M	86.4~198	24~55	9~52	1000~2200	71	4~6	5	245
		RU	RU	79.2~180	22~50	5~34.5	800~1800	59	3~5		
SBH/75E	120	M	M	126~252	35~70	12~97	600~1400	50	2~5	5	508
SH/100D	60	M	M	162~360	40~100	12~56	800~1550	65	5~8	5	365
		RU	RU	144~324	40~90	12~45	800~1350	65	3~5		365
SBH/100F	260	M	M	324~720	90~200	30~118	600~1000	64	3~8	5	711
SBH/150S	560	M	M	468~1008	130~280	20~94	500~1000	65	4~12	5	711
SH/150E	120	M	M	360~828	100~230	10~61	500~1140	72	2~9	5	510
		RU	RU	324~720	90~200	7~49	400~1000	65	5~10		510
SM/200E	120	M	M	666~1440	185~400	14~60	600~1100	73	4~10	5	549
SH/200ST	560	M	M	612~1368	170~380	11~61	400~850	71	4~10	5	686
		RU	RU	540~1188	150~330	12~50	400~750	75	4~12		
SH/250ST	560	M	M	936~1980	260~550	7~68	300~800	82	6	5	762
		RU	RU	720~1620	200~450	7~45	300~650	80	2.5~7.5		
SH/300ST	560	M	M	1260~2772	350~770	13~63	300~600	77	3~10	5	965
		RU	RU	1152~2520	320~700	13~44	300~500	79	3~8		
SH/350TU	1200	M	M	1368~3060	380~850	11~63	250~550	79	4~10	5	1067
SH/450TU	1200	M	M	2520~5400	700~1500	13~57	200~400	85	5~10	5	1370

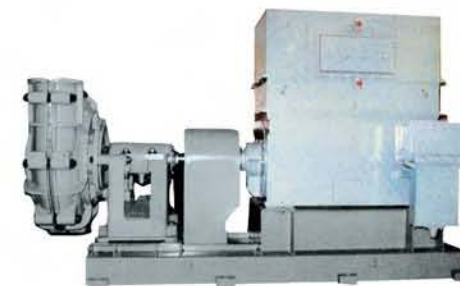
注： 1. “M”代表合金耐磨材料，“RU”代表橡胶材料。  
 2. 推荐流量范围50%Q' ≤ Q ≤ 110%Q' (Q' ≈ 相应于最高效率点流量)  
 3. NPSH是指最高转速时，推荐Q点所对应的NPSH值。  
 NOTE: 1. “RU”: rubber, “M”: alloy wear-resisant material,  
 2. Capacity range recommended: 50%Q' ≤ Q ≤ 110%Q'  
 (Q' ≈ Appropriate to capacity at highest efficiency point)  
 3. NPSH: Appropriate to point Q recommended at highest speed.

## 传动型式

Drive Type



■ CV



■ DC



■ ZV

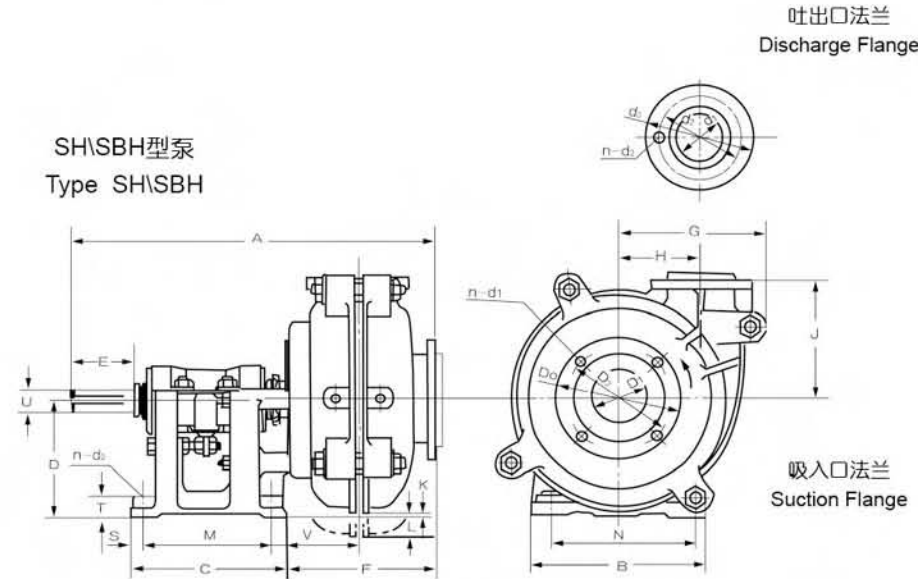


■ CR



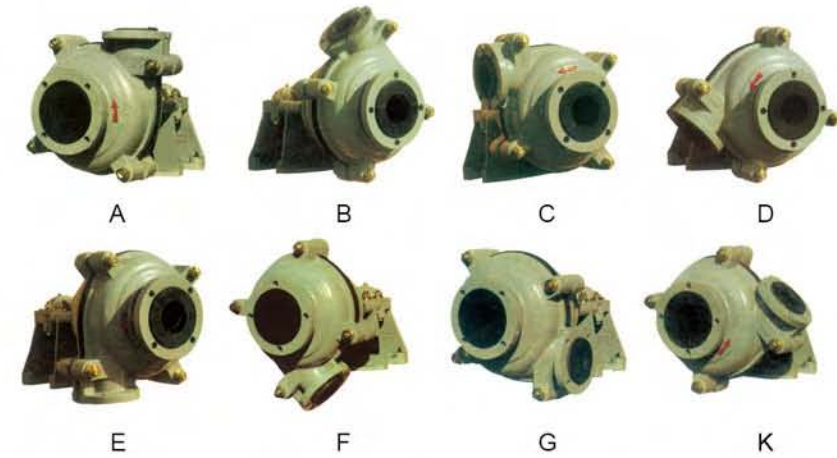
### 外型安装尺寸图

Outline and Installation Dimension



### 出口角度图

Discharge angle



### SH\SBH 泵外形尺寸

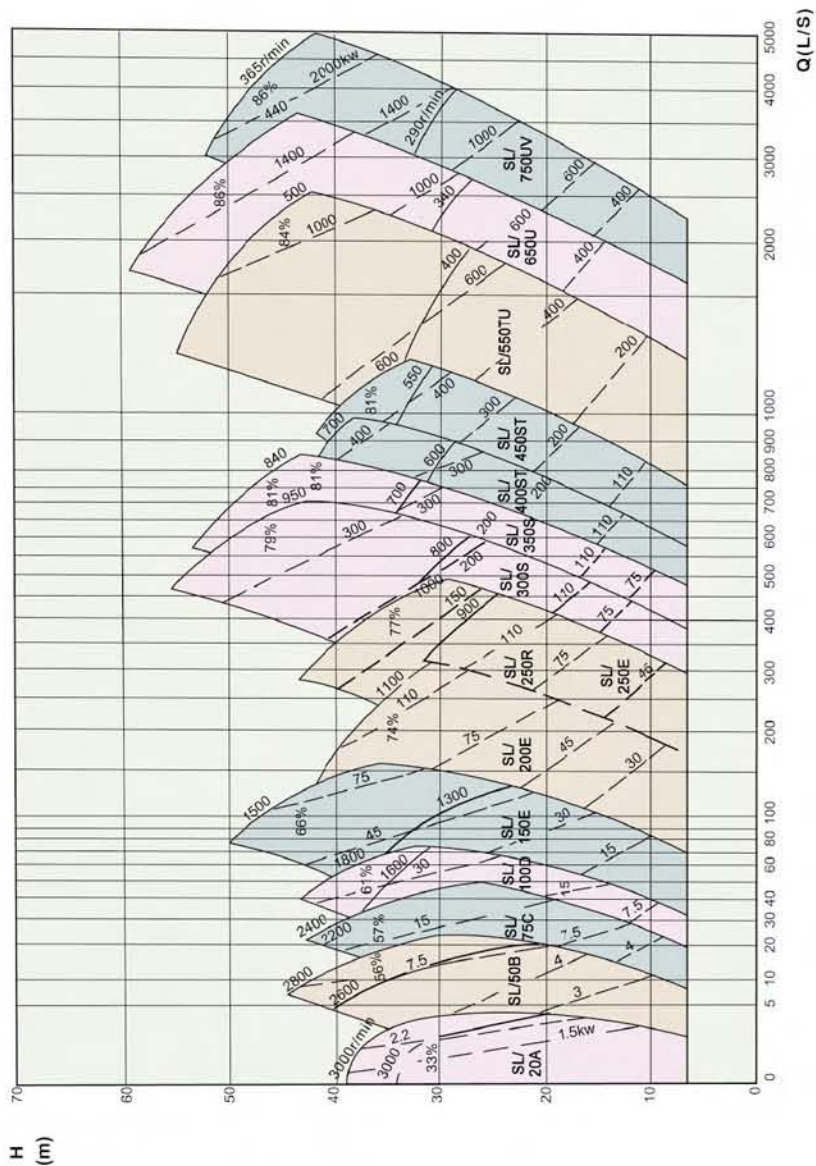
Outline and Installation of SH\SBH Pump

型号 TYPE	A	B	C	D	U	E	F	G	H	J	K	L	M	N	V
SH/25B	583	295	248	197	28	79	206	181	98	171	46	-	143	254	181
SBH/25C	759	406	311	254	42	121	306	270	194	254	-	11	175	356	252
SH/40B	592	295	428	197	28	79	217	205	114	184	33	-	143	254	184
SH/50C	768	406	311	254	42	121	281	238	138	210	71	-	175	356	233
SBH/50D	986	492	364	330	65	164	389	384	254	368	-	51	213	432	298
SH/75C	843	406	311	254	42	121	354	292	149	262	24	-	185	356	270
SH/75D	943	492	364	330	65	164	353	292	149	262	100	-	213	432	279
SBH/75E	1240	622	448	457	80	222	492	492	330	432	-	-	257	546	381
SH/100D	1021	492	364	330	65	164	421	406	229	338	11	-	213	432	318
SH/100E	1178	622	448	457	80	222	433	406	229	338	138	-	257	546	351
SBH/100F	1668	920	780	450	120	280	296	616	413	546	-	134	640	760	353
SH/150E	1302	622	448	457	80	222	557	551	318	460	-	62	257	546	402
SH/150R	1360	680	590	350	85	215	-	511	318	460	-	170	490	560	312
SBH/150F	2275	1150	1040	650	150	350	852	835	584	813	-	160	880	900	538
SM/200E	1337	622	448	457	80	222	584	613	384	470	-	83	257	546	403
SM/200R	1395	680	590	350	85	215	-	613	384	470	-	190	490	560	314
SH/200ST	1748	1150	780	650	120	280	692	673	419	635	27	-	620	900	439
SH/250ST	1816	1150	780	650	120	280	762	775	464	674	-	65	620	900	461
SH/300ST	1873	1150	780	650	120	280	812	937	629	832	-	224	620	900	486
SH/350TU	2320	1460	1050	900	150	350	953	1048	660	889	-	84	860	1200	597
SH/450TU	2475	1460	1050	900	150	350	1100	1420	940	1230	-	420	860	1200	615
SBH/150S	1700	920	785	450	120	280	622	625	415	615	-	155	640	760	382

T	S	n-d	吸入口法兰 SUCTION FLANGE				吸出口法兰 DISCHARGE FLANGE				重量 WEIGHT METAL	PUMP 重量 WEIGHT TOTAL
			D <sub>1</sub>	D <sub>2</sub>	D <sub>3</sub>	n-d <sub>1</sub>	d <sub>1</sub>	d <sub>2</sub>	n-d <sub>2</sub>			
38	24	4-φ14	152	38	114	4-φ16	165	25	127	4-φ16	91	77
48	32	4-φ19	152	38	114	4-φ17	152	25	114	4-φ17	318	-
38	24	4-φ14	184	51	146	4-φ19	165	38	127	4-φ19	104	118
48	32	4-φ19	216	76	178	4-φ19	184	51	146	4-φ19	191	154
64	38	4-φ22	216	76	178	8-φ19	203	51	165	4-φ19	750	-
48	32	4-φ19	279	102	235	4-φ22	229	76	191	4-φ22	263	236
64	38	4-φ22	279	102	235	4-φ22	229	76	191	4-φ22	363	290
76	54	4-φ29	254	102	210	8-φ19	254	76	210	8-φ19	1250	-
64	38	4-φ22	337	152	292	4-φ22	279	102	235	4-φ22	626	454
76	54	4-φ29	337	152	292	4-φ22	279	102	235	4-φ22	728	635
90	70	4-φ35	337	152	292	8-φ22	205	120	260	8-φ22	2880	-
76	54	4-φ29	406	203	356	8-φ22	268	152	321	8-φ21	1473	982
70	50	4-φ28	406	203	356	8-φ22	368	152	321	8-φ22	1655	-
125	80	4-φ48	432	203	375	8-φ29	432	152	375	8-φ29	6586	-
76	54	4-φ29	502	254	445	8-φ29	432	203	375	8-φ29	1625	1202
70	50	4-φ28	502	254	445	8-φ29	432	203	375	8-φ29	1836	-
125	80	4-φ48	502	254	445	8-φ29	432	203	375	8-φ29	3750	3130
125	80	4-φ48	527	305	470	12-φ25	527	254	470	12-φ25	4318	3357
125	80	4-φ48	585	356	521	12-φ25	552	305	495	12-φ25	6409	4672
150	95	4-φ39	705	406	341	12-φ35	673	356	610	12-φ29	10000	-
150	95	4-φ39	900	508	800	12-φ42	900	460	800	12-φ42	18864	15921
90	70	4-φ35	380	152	320	8-φ27	420	150	360	8-φ27	-	-

# SL 型泵

Type SL



注：清水近似性能，仅供初步选型用

NOTE: Approximate performance for clear water, to be used for primary selection only.

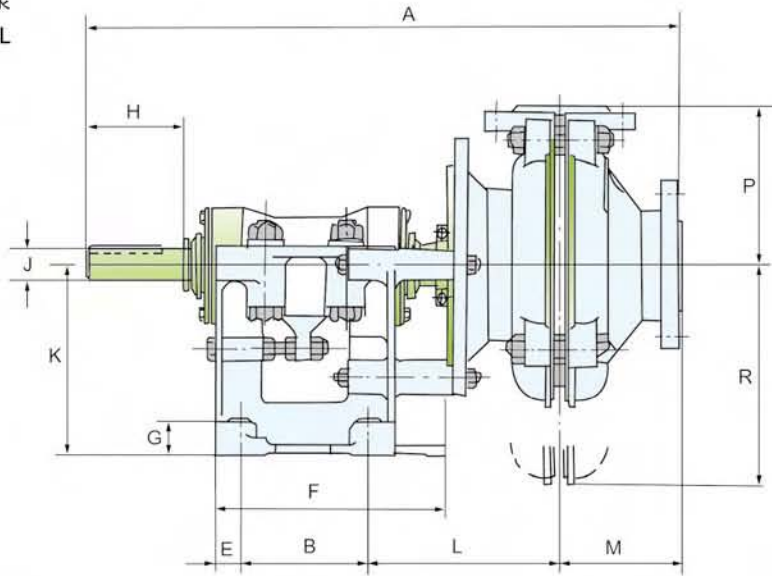
## SL 型泵性能参数

Performance Parameter of SL Pump

型号 TYPE	允许配代 最大功率 ALLOWABLE MATING MAX. POWER(KW)	清水性能		CLEAR WATER PERFORMANCE			叶轮 IMPELLER 叶片数 NO. OF VANES	叶轮直径 IMPEL. DIA. (mm)	
		流量 Q (m <sup>3</sup> /h)	容量 CAPACITY (l/s)	扬程 HEAD H (m)	转速 SPEED n (r/min)	最高效率 MAX. EH h%			汽蚀余量 NPSH (m)
SL/20A	7.5	2.34~10.8	0.65~3	6~37	1400~3000	30	4	152.4	
SL/50B	15	16.2~76	4.5~20	9~44	1400~2800	55	4	190	
SL/75C	30	18~151	5~42	4~45	900~2400	57	4	229	
SL/100D	60	50~252	14~70	7~46	800~1800	60	4	305	
SL/150E	120	115~486	32~135	12~51.5	800~1500	65	4	381	
SL/200E	120	234~910	65~253	9.5~40	600~1100	64	4	457	
SL/250E	120	396~1425	110~396	8~30	500~800	77	5	550	
SL/300S	560	468~2538	130~705	8~60	400~950	79	5	653	
SL/350S	560	650~2800	180~780	10~59	400~840	81	5	736	
SL/400ST	560	720~3312	200~920	7~51	300~700	80	5	825	
SL/450ST	560	756~3312	210~920	7~37.5	300~600	85	5	933	
SL/500TU	1200	1008~4356	280~1210	9~48	300~600	80	5	933	
SL/550TU	1200	1080~4356	300~1210	9~40	300~550	87	5	1213	
SL/600TU	1200	1880~7920	560~2200	10~50	250~475	86	5	1425	
SL/650TU	1200	1980~7920	560~2200	10~50	250~475	86	5	1425	
SL/750UV	1200	2520~9108	700~2530	10~55	200~350	86	5	1425	
SL/800TU	1200	2520~9108	700~2530	10~39	200~350	86	5	1425	

- 注： 1. “M”代表合金耐磨材料，“RU”代表橡胶材料。  
2. 推荐流量范围50%Q' ≤ Q ≤ 110%Q' (Q' = 相应于最高效率点流量)
- NOTE: 1. “RU”: rubber, “M”: alloy wear-resisant material,  
2. Capacity range recommended: 50%Q' ≤ Q ≤ 110%Q' (Q' = Appropriate to capacity at highest efficiency point)

SL 型泵  
Type SL

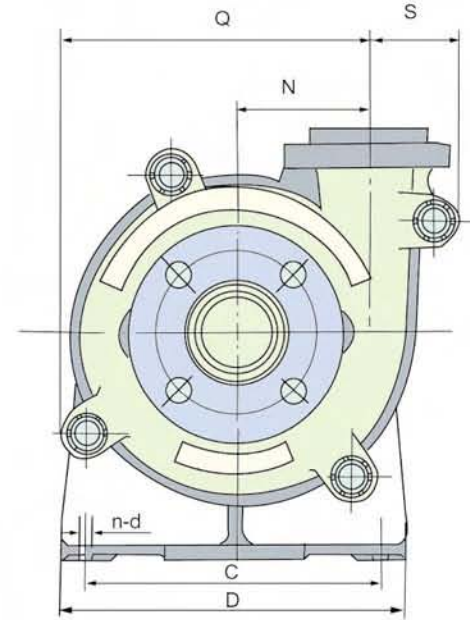


外型安装尺寸图

Outline and Installation Dimension

型号 TYPE	A	B	C	D	E	F	G	n-d	H	J	K	L	M
SL(R)20A	461	159	241	286	25	210	28	4-φ18	57	20	145	89	90
SL(R)50B	624	143	254	295	24	248	38	4-φ14	80	28	197	191	136
SL(R)75C	813	175	356	406	32	311	48	4-φ19	120	42	254	253	163
SL(R)100D	950	213	432	492	38	364	64	4-φ22	163	65	330	280	187
SL(R)150E	1218	257	546	622	54	448	76	4-φ29	220	80	457	376	237
SL(R)200E	1334	257	544	622	54	448	76	4-φ29	220	80	457	413	306
SL(R)250E	1348	257	546	622	54	448	76	4-φ29	220	80	457	411	324
SL(R)250R	1406	490	560	680	50	590	70	4-φ28	216	85	350	322	324
SL(R)300S	1720	640	760	920	70	780	90	4-φ35	280	120	450	415	300
SL(R)350S	1776	640	760	920	70	780	90	4-φ35	280	120	450	425	340
SL(R)400ST	1840	620	900	1150	80	780	125	4-φ48	280	120	650	480	375
SL(R)450ST	1875	620	900	1150	80	780	125	4-φ48	280	120	650	500	400
SL(R)550TU	2400	860	1200	1460	95	1050	150	4-φ79	350	150	900	625	500
SL(R)650U													
SL(R)750UV													

SL 型泵  
Type SL



外型安装尺寸图

Outline and Installation Dimension

N	泵头尺寸 PUMP HEAD SIZE					吸入法兰 SUCTION FLANGE			吐出法兰 DISCHARGE FLANGE				
	S	Q	R	P		外径 O.D.	内径 I.D.	孔中心距 C-C BET. HOLES	孔 HOLE	外径 O.D.	内径 I.D.	孔中心距 C-C BET. HOLES	孔 HOLE
86	144			128		114	25	83	4-φ14	102	20	73	4-φ14
114		155		163		184	75	146	4-φ19	165	50	127	4-φ19
146	102			204		229	100	191	4-φ19	203	75	165	4-φ19
190	118			262		305	150	260	4-φ22	229	100	191	4-φ22
248	155			324		368	200	324	4-φ19	305	150	260	4-φ19
292	199			401		445	250	394	8-φ22	382	200	337	8-φ22
438	257	476	603	470		552	305	495	8-φ32	483	254	425	8-φ32
438	257	476	603	470		552	305	495	8-φ32	483	254	425	8-φ32
475	165	399	634	570		560	350	500	12-φ26	530	300	470	12-φ26
530	295	643	691	620		640	400	580	12-φ26	590	350	530	12-φ26
600	343	747	809	740		720	450	650	12-φ33	685	400	615	12-φ33
660	375	814	872	800		770	500	700	12-φ33	740	450	670	12-φ33
860	453	1055	1142	975		975	650	880	12-φ39	900	550	800	12-φ39

# SV/SVR型液下泵

## SV/SVR Sump Pumps

### 用途和特点

SV、SVR型液下泵为立式离心渣浆泵，浸入液下，用于输送腐蚀性、粗颗粒、高浓度渣浆。不需要任何轴封和轴封水，在吸入量不足的工况下也能正常工作。

SV型泵过流部件由耐磨金属制成。

SVR型泵浸入液下的零部件均有橡胶外衬，适用于输送无棱角的腐蚀性渣浆。

型号中含“L”字母为加长轴系列的液下泵，可适用于液位较深的工况，这种泵在标准的基础上增加了导轴承结构，运转更平稳，适用更广泛。但在导轴承部位需要附设冲洗水。

### Application and Features

Type SV/SVR pumps are vertical, centrifugal slurry pumps submerged in sump to work. They are designed for delivering abrasive, large particle and high density slurries. These pumps have no need of any shaft seal and sealing water. They can also be operated normally for insufficient suction duties.

Wet parts of type SV pumps are made of abrasion-resistant metal.

All parts of type SVR pump immersed in liquid are lined with rubber outer liner. They are suited to transport non-edge angle abrasive slurry.

The type with "L" is a sump pump of extended shaft series, which is suited for the working condition of deeper level. The guide bearing construction is added to the pump on the basis of the standard pump, so the pump is with both more steady operation and wider application range, but flushing water should be attached to the guide bearing.

### 型号和意义

SV (R) / 40 P (L)

- 加长轴系列
- 轴承组件
- 泵吐出口直径(毫米)
- 立式橡胶液下渣浆泵
- 立式金属液下渣浆泵

### Type Notation

SV (R) / 40 P (L)

- Extension type
- Bearing assembly type
- Outlet diameter(mm)
- Rubber vertical sump slurry pump
- Metal vertical sump slurry pump



# SV/SVR型液下泵清水性能表

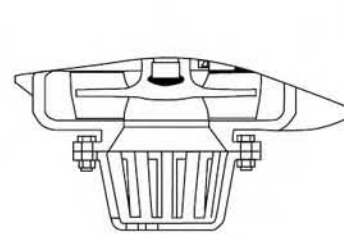
## Clear water Performance for SV and SVR Sump Pumps

型号 Type	允许配代 最大功率 (Kw) Allowable Mating Max. Power	材质 Material		性能范围 Range of Performance						叶轮 Impeller	
		护套 Liner	叶轮 Impeller	流量 Q Capacity		扬程 H (m) Head H	转速 n Speed n	最高 效率 Max.Eff (%)	汽蚀 余量 NPSH (m)	叶片数 No of Blades	叶轮 外径 Impeller Diameter (mm)
				(m³/h)	(L/s)						
SV/40P(L)	15	M	M	19.44-43.2	5.4-12	4.5-28.5	1000-2200	40		5	188
SVR/40P(L)		RU	RU	17.28-39.6	4.8-11	4-26	1000-2200	40		5	188
SV/65Q(L)	30	M	M	23.4-111	6.5-30.8	5-29.5	700-1500	50		5	280
SVR/65Q(L)		RU	RU	22.5-105	6.25-29.15	5.5-30.5	700-1500	51		5	280
SV/100R(L)	75	M	M	54-289	15-80.3	5-35	500-1200	56		5	370
SVR/100R(L)		RU	RU	64.8-285	18-79.2	7.5-36	600-1200	62		5	370
SV/150S(L)	110	M	M	108-479.16	30-133.1	8.5-40	500-1000	52		5	450
SV/200S(L)	110	M	M	189-891	152.5-247.5	6.5-37	400-850	64		5	520
SV/250T(L)	200	M	M	261-1089	72.5-302.5	7.5-33.5	400-750	60		5	575
SV/300T(L)	200	M	M	288-1267	80-352	6.5-33	350-700	50		5	610

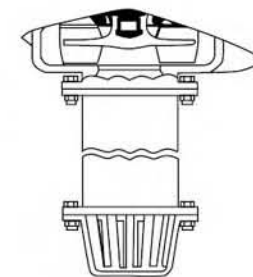
注：“M”是合金耐磨材料。“RU”是橡胶材料。  
NOTE:“M”:Wear-resistant alloy.“RU”:rubber

### 泵进口三种结构型式

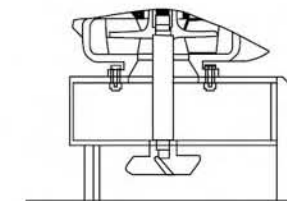
Three-kind construction of the pump inlet



标准带滤网式  
Standard Type with Strainer



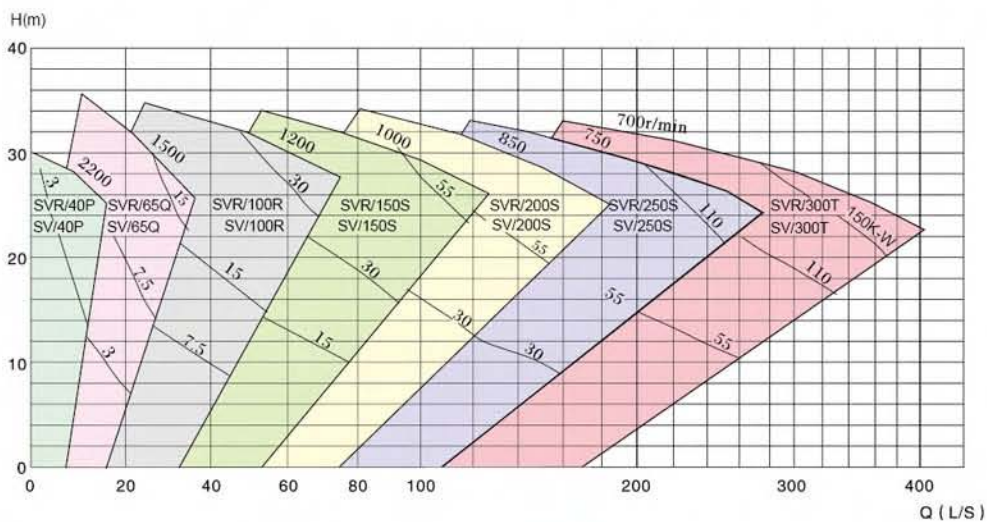
加吸入管带滤网式  
Suction Pipe with Strainer



带搅拌轮型式  
With Agitator

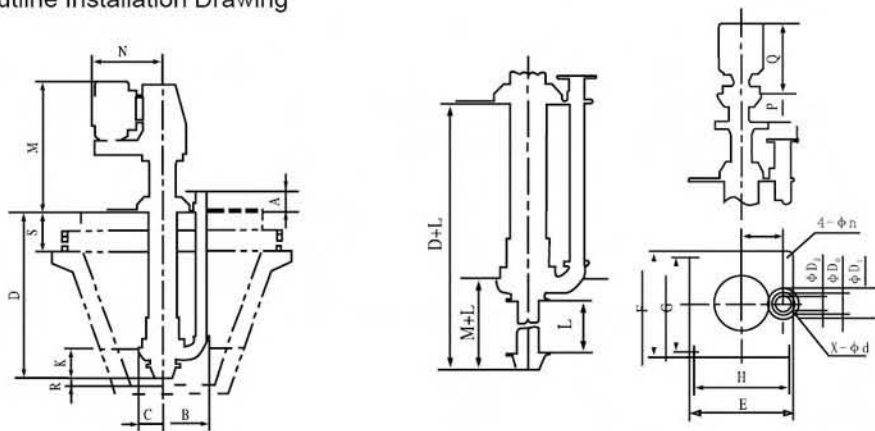
### SV/SVR型液下泵型谱

Type SV and SVR Sump Pumps Selection Chart



#### 外形安装尺寸图

Outline Installation Drawing



皮带传动  
Belt Drive

直接传动  
Direct Coupled Drive

### SV & SVR 型液下泵外形尺寸表

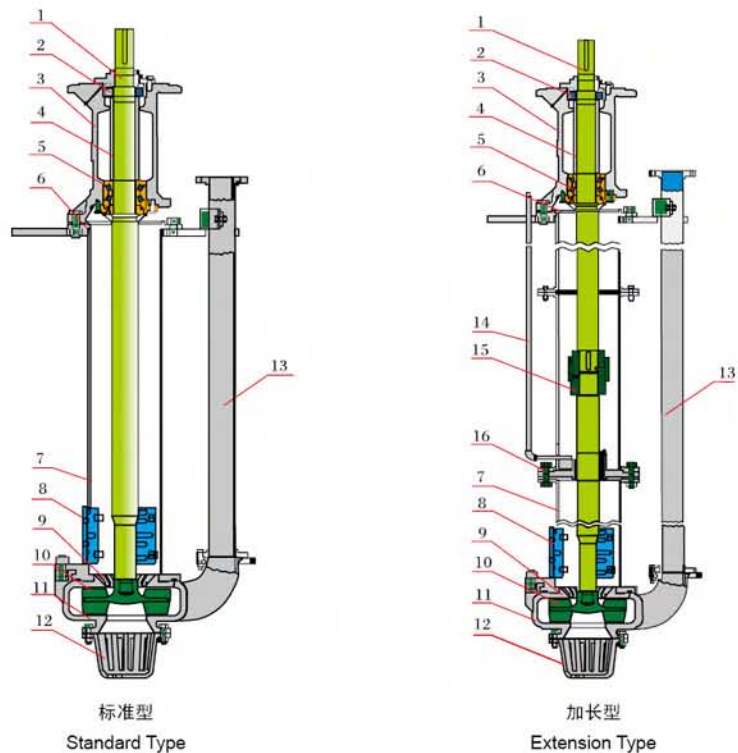
Outline Dimensions for SV and SVR Sump Pumps

泵 PUMP	出口口径 Discharge Dia (mm)	托架 FRAME	型号 TYPE	D		C	B	A	E	F	G	H	J	Jn	K	M	N	P	Q	泵重 Pump Weight (KG)	出口法兰尺寸 Discharge Flange Size			
				标准型 STANDARD TYPE	加长型 EXTENSION TYPE																φD1	φD2	φD3	
40	P(L)		SV	900*	1800*	153	285	137	500	450	450	205	18	174	1113	675	248	629	285	280	127	40	98	4-φ16
				1200	2500	175	265	140	480	180	500	480	205	18	174	1113	248	629	285	280	127	40	98	4-φ16
65	Q(L)		SV	900*	2200*	231	399	227	680	620	620	285	18	265	1390	794	290	681	432	350	178	65	140	4-φ19
				1500	2800	260	380	230	380	230	680	620	620	285	18	265	1396	290	681	432	350	178	65	140
100	R(L)		SV	1200	2400	317	538	265	870	800	800	400	22	393	1803	1020	416	960	867	350	229	100	191	8-φ19
				1500*	2700*	332	538	266	538	266	870	800	800	400	22	393	1809	416	960	867	350	229	100	191
150	S(L)		SVR	1500	2800*	365	670	390	1100	1030	1030	500	28	475	2186	1200	476	1011	1737	350	280	150	241	8-φ22
				1800*	3200	400	670	395	670	395	1100	1030	1030	500	28	475	2194	476	1011	1737	350	280	150	241
200	S(L)		SV	1500	2800*	440	805	450	1200	1100	1100	600	28	550	2191	1300	476	1011	2800	350	343	200	298	8-φ22
				1800*	3200	470	805	500	805	500	1200	1100	1100	600	28	550	2191	476	1011	2800	350	343	200	298
250	T(L)		SVR	1800*	2800*	470	930	500	1450	1350	1350	700	48	685	2572	1750	561	1246	3700	400	406	250	362	12-φ25
				2100*	3600	559	930	500	930	500	1450	1350	1350	700	48	685	2572	561	1246	3700	400	406	250	362
300	T(L)		SVR	1800*	2800*	630	1090	400	1750	1450	1450	700	48	700	2476	1750	561	1246	4000	400	483	300	432	12-φ25
				2100*	3600	630	1090	400	1090	400	1750	1450	1450	700	48	700	2476	561	1246	4000	400	483	300	432

注: L尺寸为: 0, 300, 600, 900, 1200, 1800; L为0时为标准泵的尺寸。  
R尺寸范围: 300-500mm。  
NOTE: L size: 0, 300, 600, 900, 1200, 1800. Standard pump L=0.  
R dimension range: 300-500mm.

## SV/SVR型液下泵结构图

Construction Drawing for SV and SVR Sump Pump



SV型液下泵全部为金属材料，用于输送腐蚀性渣浆  
SVR型液下泵是橡胶保护，用于输送酸性腐蚀性渣浆

Type SV all metal for abrasive duty.  
Type SVR elastomer protected for acid/abrasive duty.

序号 Serial number	零件名称 Parts name	
1	轴	SHAFT
2	轴承	BEARING
3	轴承体	BEARING HOUSING
4	轴承挡套	BEARING SPACER
5	轴承	BEARING
6	调整垫	SHIM
7	支架	COLUMN
8	滤网	STRAINER

序号 Serial number	零件名称 Parts name	
9	后护板	BACK LINER
10	叶轮	IMPELLER
11	泵体	PUMP CASING
12	下滤网	LOWER STRAINER
13	吐出管	DISCHARGE PIPE
14	水封管	FLUSHING PIPE
15	联轴器部件	COUPLING PART
16	中间支承部件	MIDDLE SUPPORT PART

## SG/SHG型砂砾泵

SG/SHG Gravel Pumps

### 产品特点

SG(或SHG)型砂砾泵主要用于由于颗粒太大以至于一般渣浆泵不能输送的强磨蚀物料连续输送。适用于挖泥船挖泥，疏浚河道、采矿及金属冶炼渣的输送等。其中SHG型为高扬程砂砾泵。

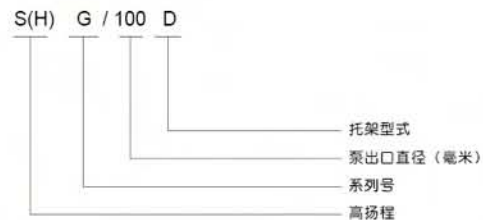
该泵采用了以卡带连接的单泵壳结构，过流通道宽敞。其过流部件采用了硬镍、高铬等耐磨材料。泵的吐出口方向可在360°的任何一个位置，具有安装使用方便，汽蚀性能好，抗磨蚀等优点。

### Product Features

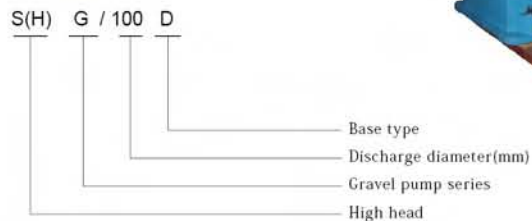
Type SG(or SHG) gravel pumps are designed for continuously handling the most difficult higher abrasive slurries which contain too big solids to be pumped by a common pump.They are suitable for delivering slurries in Mining,Explosive\_sludge in metal melting,Dredging in dredger and course of rivers,and other fields.Type SHG pumps are of high-head ones.

Construction of this pump is of single casing connected by means of clamp bands and wide wet-passage.The wet-parts are made of Ni\_hard and high chromium abrasion-resistance alloys.The discharge direction of pump can be oriented in any direction of 360° This type of pump possesses the advantages of easy installation and operation,good performance of NPSH and abrasion-resistance.

### 型号意义



### Type Notation



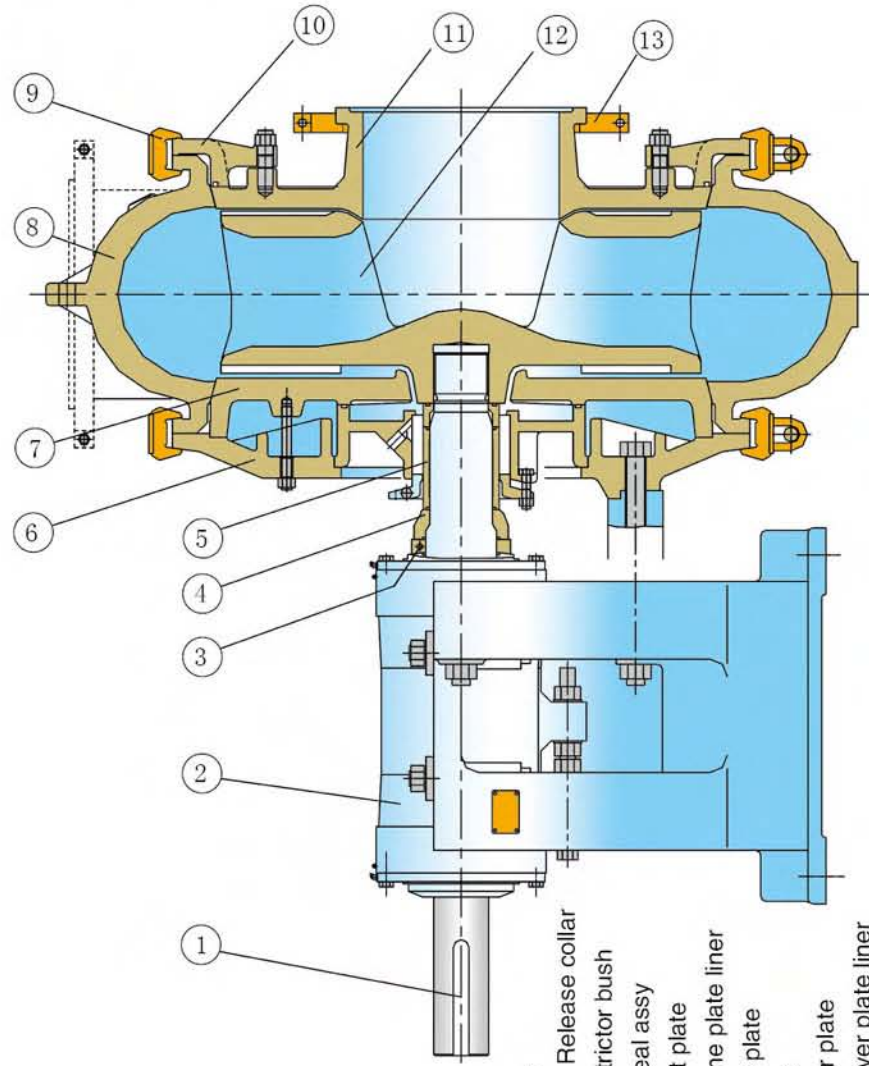
### SG ( SHG ) 型砂砾泵型谱

Gravel pumps selection chart



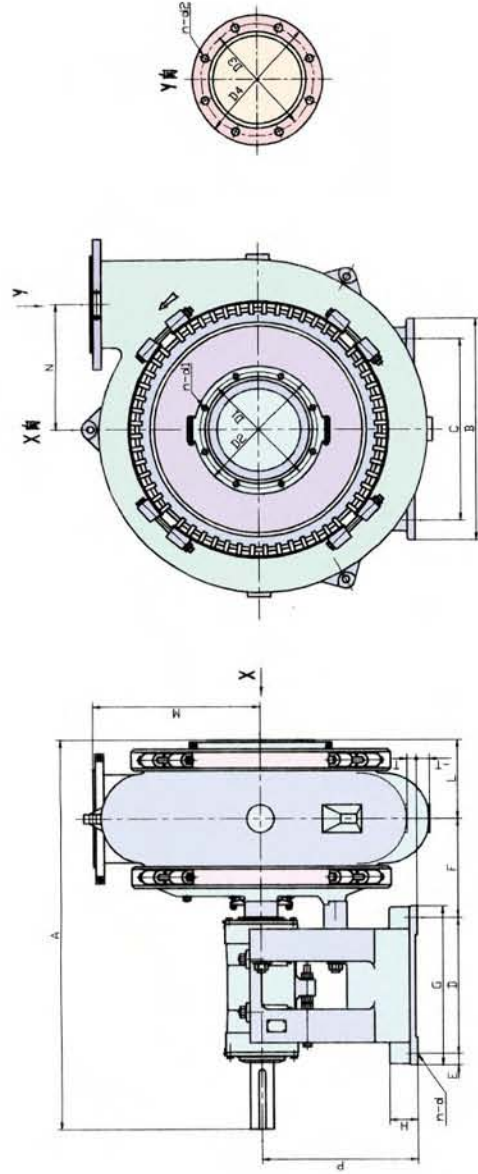
### SG(SHG)结构设计

SG(SHG) Construction Design



### SG(SHG)型泵外形和安装尺寸

Outline Dimensions for type SG and SHG



泵型号 Pump type	外形尺寸 Outline Out line dimensions													地脚孔 Bolt holes			吸入口法兰 Suction flange			吐出口法兰 Discharge flange			重量 Weight kg
	A	B	C	D	E	F	G	H	L	M	N	P	T	n-d	n-d	D1	D2	n-d1	D3	D4	n-d2		
SG/100D	1006	492	432	213	213	330	289	54	203	343	260	330	16	4-F22	260	305	8-φ19	210	254	4-φ19	460		
SG/150E	1286	622	546	257	257	392	365	75	295	405	352	457	54	4-F29	324	368	8-φ19	210	254	4-φ19	1120		
SG/200F	1591	857	762	349	349	487	540	98	330	533	416	610	60	4-F35	406	457	8-φ19	210	254	4-φ19	2250		
SG/200S	1720	920	760	640	640	378	780	90	330	533	416	450	-102	4-F35	406	457	8-φ19	210	254	4-φ19	2285		
SG/250G	2010	1207	851	749	749	473	876	152	368	665	522	851	238	4-F41	470	527	8-φ19	210	254	4-φ19	4450		
SG/300G	2096	1207	851	749	749	502	876	152	424	787	610	851	121	4-F41	495	552	8-φ19	210	254	4-φ19	5400		
SHG/200S	1774	920	760	640	640	455	780	90	330	620	473	450	-206	4-F35	406	457	8-φ19	210	254	4-φ19	3186		

### SF 型泡沫泵

### SF Series Froth Pump

#### 产品特点

SF系列泡沫泵是我厂在吸收消化国内外先进技术的基础上开发研制的新一代产品，并将此推广。现广泛应用于冶金，煤炭，化工等工业部门。适用于输送含有泡沫的磨蚀性或腐蚀性渣浆，该系列泵在工作时能有效地消除浆体中的泡沫。在来料不足的情况下仍能正常工作，特别适于各种浮选工艺流程中，是输送泡沫类浆体的理想产品。

#### Product Feature

SF series froth pumps are SME newly designed & developed products based on the advanced technology from home and abroad. Being popularized and promoted; now they are widely used in metallurgical industry, mining sector, coal ore and chemical engineering to handle abrasive and corrosive slurries with foam and froth. When operated, SF pumps can effectively eliminate foam and froth in slurry and will also function properly even with inadequate feeding slurry, thus making them the ideal choice for delivering foam slurries, esp. in flotation process.

#### 型号意义

SF / 50 QV

托架型式  
泵出口直径 (毫米)  
系列号

#### Type Notation

SF / 50 QV

Base type  
Discharge diameter(mm)  
Froth pump series





### 结构特点

- 1、该型泵采用于SV, SVR型轴承组件, 轴承体安装有电机座或电机架, 即可采用直接传动或间接传动, 可以方便地更换皮带轮, 用来改变泵的转速, 以满足工况变化。
- 2、料箱采用钢结构或不锈钢, 钢衬橡胶等, 设有切向进料口和溢流箱, 溢流箱可以方便地把多余的来料再送回料池, 切向进口可使物料迅速的进入泵内并消除部分泡沫。
- 3、泵头结构为双泵壳结构, 根据输送介质不同, 过流部件可采用: 金属, 橡胶或其它非金属材料。

### Structure Features

1. Bearing assembly of SF series is the same with that of SV,SVR series.Bearing housing is installed with motor frame base or supporting plate,i.e.pump and motor are connected either directly with coupling or through pulley and belts. Pulleys can be exchanged conveniently to adjust the pump rotating speed to satisfy the varying operating conditions.
2. Feeding tank can be steel,stainless steel or coated with rubber with overflow box and tangential inlet.The former can transmit the excessive incoming slurry back to its pit,while the latter will allow the slurry quickly get into the pump body and make part of the foams disappear.
3. Double casings structure the pump head.Wetted parts are metal lined,rubber lined or of other non-metallic material according to the different slurries.

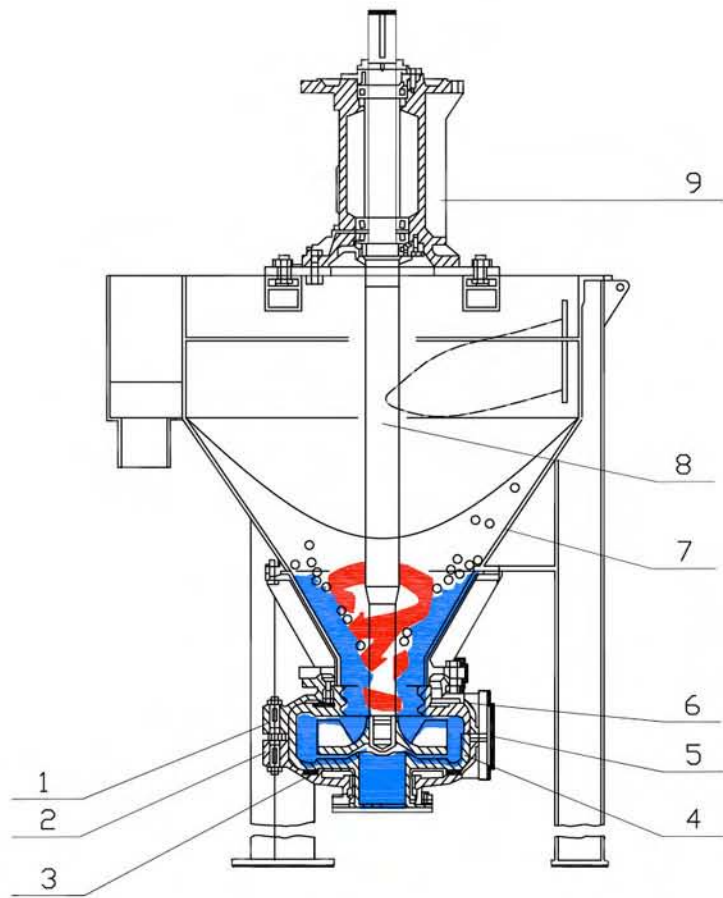
### 性能范围

#### Performance range

型号 Model	流量 Capacity ( m <sup>3</sup> /h)	扬程 Head (m)	转速 Speed (r/min)	效率 Eff (%)	配带 功率 Installed with power	口径 Diameter	
						吸入inlet ( mm )	吐出Outlet ( mm )
SF/50QV	7.6~42.8	6~29.5	800~1800	45	15	100	50
SF/75QV	23~77.4	5~28	700~1500	55	18.5	150	75
SF/100RV	33~187.2	5~28	500~1050	55	37	150	100
SF/150SV	80~393	5~25	250~680	55	75	200	150
SF/200SV	126~575	5.5~25.5	350~650	55	110	250	200

### SF 型泡沫泵结构图

Construction Drawing Of Froth Pump SF



- 1-泵体 frame plate
- 2-泵盖 cover plate
- 3-前护板 cover plate liner insert
- 4-护套 volute liner
- 5-叶轮 impeller

- 6-螺旋前护板 frame plate liner
- 7-料箱 tank
- 8-轴 shaft
- 9-轴承体 bearing housing



## TL(R) 型脱硫泵

### TL(R) series Desulfurization pump

#### 结构特点

TL(R)系列脱硫泵为单级单吸卧式离心泵，主要作为湿法FGD装置中吸收塔循环泵使用，具有流量范围宽、高效节能等优点。该系列泵配有结构紧凑的X型托架，可大大节约占地空间。同时，我公司针对脱硫系统用泵特点开发了多种材料。

#### Structure Features

Series of TL FGD pump is a single stage, single suction horizontal centrifugal pump. It is mainly used as the circulating pump for absorbent tower in FGD appliances. It has such features: wide range capacity, high efficiency, better energy saving. This series of pump is matched by tight structure X bracket which can save much space. Meanwhile our company develops many kinds of materials targeted on the pump for FGD.

#### 型号意义

600 X-TL(R)

橡胶内衬代号  
脱硫泵  
托架形式  
排出口直径(mm)



#### Type Notation

600 X-TL(R)

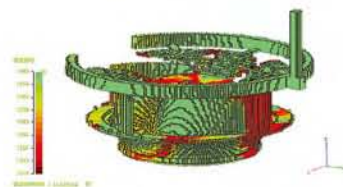
Rubber Liner Code  
FGD Pump  
Bracket Model  
Discharge diameter(mm)

#### 示例

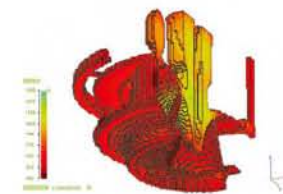
600X-TLR, 即为排出口直径600mm, 轴承润滑方式为稀油润滑, 橡胶内衬。  
700X-TL, 即为排出口直径700mm, 轴承润滑方式为稀油润滑, 金属内衬。

#### Samples

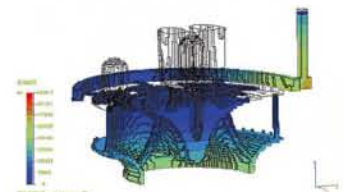
600X-TLR: The diameter of discharge: 600mm, bearing lubricating type: oil, Rubber liner.  
700X-TL: The diameter of discharge: 700mm, bearing lubricating type: oil, Metal liner.



叶轮浇注温度场CAE  
Pouring Temperature Field CAE



叶轮凝固CAE  
Impeller Concretion CAE



叶轮注压力场CAE  
Impeller Pouring Pressure Field



叶轮三维造型  
Impeller Modeling by 3-Dimension

#### 技术特点

泵过流部件采用先进的CFD流动模拟分析技术，使其设计可靠，运行效率高。调节轴承组件可改变叶轮在泵腔中的位置，使泵机组始终处于高效运行状态。泵为后拆式结构，结构简单，维修方便，无需拆卸泵的进出水管路。泵端采用双列圆锥滚子轴承，驱动端采用圆柱滚子轴承，轴承采用稀油润滑，改善了轴承工作条件，大大提高了轴承的寿命。机械密封采用专用于脱硫工艺的集装式机封，运行可靠。

### Features

CFD flowing simulating analysis technology is adopted on wetted parts of pump, it has a reliable property and high operational efficiency.

To adjust bearing assembly can change impeller position in volute, it can keep pump unit in a state of high efficient operation.

The pump is back pull-out construction, it has easy construction and simplifies maintenance. It can be disassembled without dismantling suction & discharge pipes.

Double rows taper roller bearings are fitted on pump end, roller bearings are fitted on drive end. Bearings are lubricated by oil which can modify bearing working condition and increase wear life of bearings.

Mechanical seal adopted is special for cartridge mechanical seal of FGD process.

### 材料的选用

我公司专门为FGD装置开发研制了一种新型双相不锈钢白口铁材料，该材料展现了双相不锈钢的耐腐蚀性和高铬白口铁的耐磨性，使其在FGD流程中具有显著的耐磨耐腐蚀性。

泵体、泵盖和接合板为承压件，采用球墨铸铁；

胶泵结构中：叶轮，吸入盖/前护板为双相不锈钢白口铁，前护套、后护套、后护板的材料为天然橡胶，具有天然的良好耐磨性能，且重量轻，成本相对较低。

金属内衬中：叶轮、护套、前护板、后护板双相不锈钢白口铁，吸入盖为球铁贴胶。

### Material adopted

Our company developed a kind of new material duplex phase stainless white iron on FGD device specially. The material has anti-corrosive property of duplex stainless steel and anti-abrasive property of high chrome white iron so that it has remarkable anti-abrasive and anti-corrosive property in FGD process.

Pump casing, pump cover and adaptor plate are bearing pressure parts which are made of ductile iron.

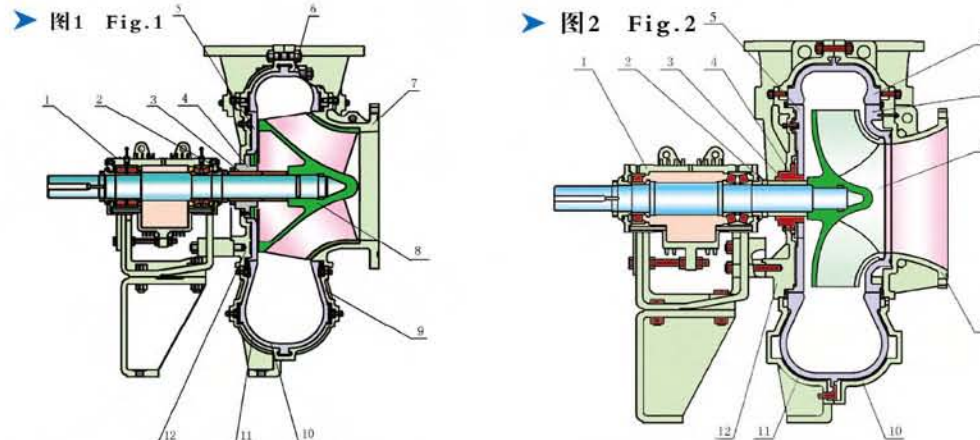
Rubber lined pump: Impeller, suction cover/front liner insert are made of duplex phase stainless white iron. Front liner, back liner, back liner insert material is natural rubber which has good anti-corrosive property with light weight, low cost.

Metal lined pump: Impeller, volute liner, front liner insert, back liner insert are made of duplex stainless white iron. Suction cover is made of ductile iron with rubber stuck.



### TL(R)系列脱硫泵结构图

### Constructional Drawing of Series TL(R) FGD Pump



表一 Table 1

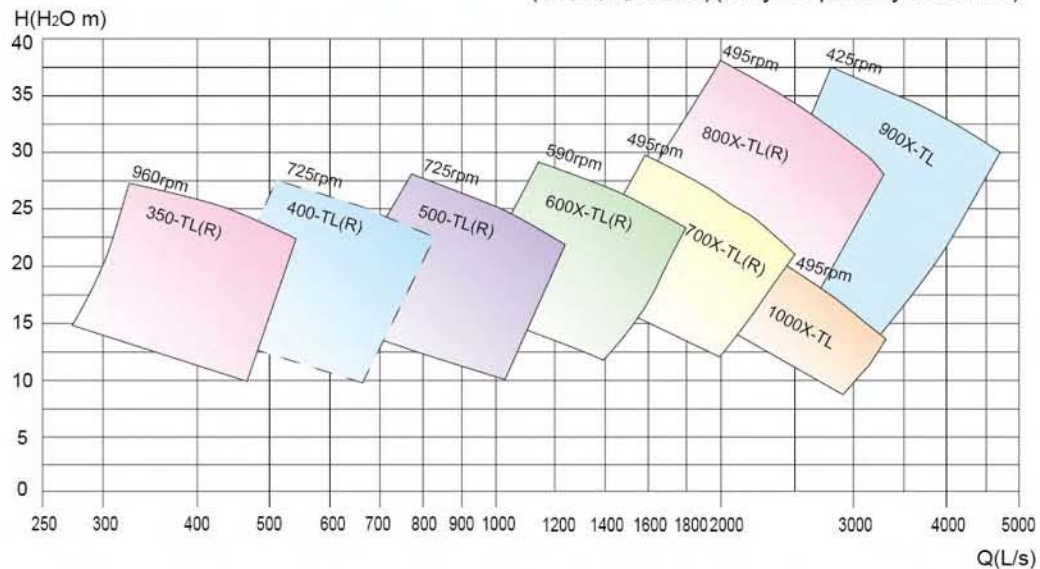
序号 Item No.	名称 Part Name	材料 Material	序号 Item No.	名称 Part Name	材料 Material
1	托架 Base		7	吸入盖 Suction Cover	双相不锈钢白口铁 duplex phase stainless white iron
2	叶轮拆卸环 Impeller Releaser	不锈钢 Stainless Steel	8	叶轮 Impeller	双相不锈钢白口铁 duplex phase stainless white iron
3	轴套 Shaft Sleeve	ZG0Cr18Ni12Mo2Ti	9	泵盖 Cover	QT500-7
4	机械密封 Mechanical Seal		10	后护套 Back Liner	天然橡胶 + A3 Rubber+A3
5	后护板 Back Liner Insert	天然橡胶 + A3 Rubber+A3	11	泵体 Casing	QT500-7
6	前护套 Front Liner	天然橡胶 + A3 Rubber+A3	12	接合板 Adaptor Plate	QT500-7

表二 Table 2

序号 Item No.	名称 Part Name	材料 Material	序号 Item No.	名称 Part Name	材料 Material
1	托架 Base		7	前护板 Front Liner Insert	双相不锈钢白口铁 duplex phase stainless white iron
2	叶轮拆卸环 Impeller Releaser	Stainless Steel	8	叶轮 Impeller	双相不锈钢白口铁 duplex phase stainless white iron
3	轴套 Shaft Sleeve	ZG0Cr18Ni12Mo2Ti	9	吸入盖 Suction Cover	QT500-7胶 QT500-7+Rubber
4	机械密封 Mechanical Seal		10	泵盖 Cover	QT500-7
5	后护板 Back Liner Insert	H59	11	泵体 Casing	QT500-7
6	护套 Volute	H59	12	接合板 Adaptor Plate	QT500-7

### TL(R)系列脱硫泵型谱 Selection Chart For Type TL (R) FGD Pump

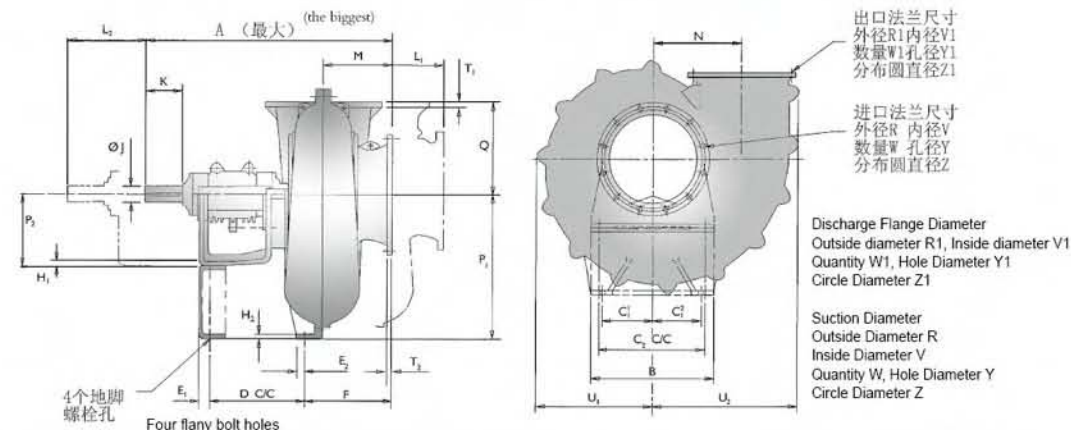
(仅供初步选用)(Only for primary selection)



### TL(R)系列脱硫泵基本参数 Basic Parameter of Type TL(R) FGD Pump

型号 Pump Type	流量 Capacity Q		扬程 Head H (m)	转速 Speed n (r/min)	效率 Eff. (%)	必需汽蚀余量 NPSHR	排出口直径/吸入口直径 Discharge Diameter/ Suction Diameter (mm/mm)
	m <sup>3</sup> /h	L/S					
350TL(R)	1600	444	25	960	82	4.5	350/400
400TL(R)	2500	694	25	725	83	5.0	400/450
500TL(R)	3750	1040	25	725	85	5.0	500/500
600TL(R)	6300	1750	25.5	620	88	5.5	600/700
700TL(R)	6840	1900	26	485	87	6.0	700/800
800TL(R)	9360	2600	31	485	90	7.0	800/900
900TL(R)	15000	4167	30	485	90	8.5	900/1000
1000TL	10440	2900	15	485	89	7.0	1000/1200

### TL(R)系列脱硫泵安装尺寸图 Installation Dimension Diagram of Type TL (R) FGD Pump



泵型号 Pump Type	安装尺寸 Installation Dimension											轴 Shaft				地脚螺栓孔** Anchor Bolt Hole	重量 (kg) Weight	
	A	B**	C <sub>1</sub>	C <sub>2</sub>	C <sub>3</sub>	D	E <sub>1</sub>	E <sub>2</sub>	F*	H <sub>1</sub>	H <sub>2</sub>	fJ	K	键尺寸 Key Dimension	L <sub>1</sub>			L <sub>2</sub>
350X-TL(R)	1450	660/1040	390	490	560	589	90	302	340	25	30	85.03 85.01	218	22	160	360	f28	1858
500X-TL(R)	1773	1000/960	425	425	850	652	110	551	595	35	40	120.03 120.01	210	32	150	400	f42/f40	4000
600X-TL(R)	1855	960	425	425	850	670	110	50	667	35	40	120.03 120.01	284	32×18	330	610	f39	4575
700X-TL(R)	2315	1300	550	730	1100	895	130	75	768	40	45	150.040 150.015	355	36×20	375	720	f51	7280
800X-TL(R)	2460	1300	550	550	1100	885	135	75	933	40	45	150.04 150.01	355	36×20	550	800	f51	8300
900X-TL(R)	2516	1350	575	575	1100	900	130	75	960	40	45	150.04 150.01	355	36×20	550	900	f51	10720
1000X-TL(R)	2870	1300/1975	888	888	1100	860	130	1310	1366	40	80	150.04 150.01	355	36		870	f51/f42	10800

泵型号 Pump Type	安装尺寸 Installation Dimension											进口法兰 Suction Flange				出口法兰 Discharge Flange				
	M*	N	P <sub>1</sub>	P <sub>2</sub>	Q*	T <sub>1</sub> *	T <sub>2</sub> *	U <sub>1</sub>	U <sub>2</sub>	R	V	W	Y	Z	R <sub>1</sub>	V <sub>1</sub>	W <sub>1</sub>	Y <sub>1</sub>	Z <sub>1</sub>	
350X-TL(R)	340	430	700	400	505	50	38	559	728	580	400	16	30	525	580	350	14	30	525	
500X-TL(R)	421	580	950	500	665	60	44	735	946	715	500	20	33	650	715	500	18	33	65	
600X-TL(R)	525	700	1050	500	775	48	40	901	1155	910	600	24	30	840	840	600	18	36	770	
700X-TL(R)	583	780	1290	700	930	68	60	1080	1350	1025	768	24	40	950	1025	700	22	40	950	
800X-TL(R)	712	930	1400	700	985	62	62	1141	1493	1125	900	28	40	1050	1125	800	26	40	1050	
900X-TL(R)	760	1075	1620	700	1050	70	70	1410	1765	1375	1000	28	51	1250	1330	900	28	51	1210	
1000X-TL(R)	1016	940	1400	700	1000	50	56	1153	1586	1455	1200	32	39	1330	1230	1000	28	36	1160	

\*: 处尺寸包括放入橡胶密封垫的尺寸 The dimensions comprise the dimension put into rubber sealing pad  
\*\*: 托架/泵体 Bracket / Casing

## ZGB(P)系列渣浆泵

### ZGB(P) Slurry Pump

#### 产品特点

ZGB(P)系列渣浆泵为卧式、单级、单吸、悬臂、双泵壳、离心式渣浆泵。该泵从驱动端看为顺时针旋转。  
相同口径的ZGB和ZGBP型渣浆泵的过流部件可以互换，外形安装尺寸相同。ZGB(P)系列渣浆泵的传动部分采用水平中开式稀油润滑托架，并设有内外两组水冷却系统。

必要时可加冷却水。预留的冷却水接口、冷却水压力参考表1。

ZGB(P)系列渣浆泵的轴封型式有两种：付叶轮加填料组合式密封和机械密封。

凡串联渣浆泵(二级或二级以上)建议采用有高压轴封水的机械密封。单级或串联一级采用付叶轮加填料组合式密封。

各种轴封型式的轴封水压、水量如下：

#### 1.轴封水压

· 对于单级(或串联一级)采用填料加付叶轮组合式密封，轴封水压一般为0.2-0.3MPa。

· 对于多级串联采用填料加付叶轮组合式密封，二级和二级以上轴封水最低压力一般为：

$$P_n = \sum_{i=1}^n H_i + 0.7 H_n, \text{ 其中 } n \geq 2; H_i \text{ 为第 } i \text{ 级泵扬程; } H_n \text{ 为第 } n \text{ 级泵扬程。}$$

· 对采用机械密封，各级泵的轴封水压一般要求比泵出口压力大0.1Mpa。

#### 2.轴封水量 (见表1)

#### Product Features

The series ZGB(P) slurry pump is of horizontal, single-stage, single-suction, cantilever, double-casing, centrifugal slurry pump. The pump rotates in clockwise viewed from the drive end.

The wet parts of ZGB and ZGBP pump at the same outlet diameter can be interchangeable. Their outline installation dimensions are one and the same. For the drive part of the series ZGB(P) slurry pump, the horizontal split frame with oil lubrication and two sets of water cooling systems inside and outside has been adopted. If necessary, cooling water can be supplied. The prepared joint for cooling water and the pressure of the cooling water can be seen in table 1.

Two kinds of shaft seal-expeller seal combined with packing and mechanical seal have been used for series ZGB(P) slurry pump.

The mechanical seal supplied with high pressure sealing water is recommended when the slurry pump is operated in series(two stages and above two stages), and the expeller seal combined with packing is used in single-stage pump.

The water pressure and amount of all kinds of the shaft seal is as follows:

#### 1) Sealing water pressure

For single-stage pump with the expeller seal combined with packing, the water pressure of the shaft seal is 0.2-0.3 MPa.

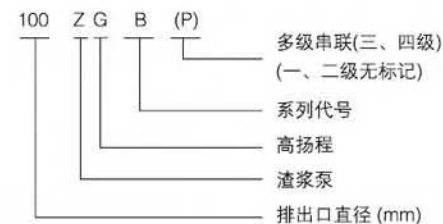
For multi-stage(two and above two stages) in series operation with the expeller seal combined with packing, the sealing water pressure should be:

The lowest sealing water pressure of n stage =  $\sum_{i=1}^n H_i + 0.7 H_n$  Where:  $n \geq 2$ .

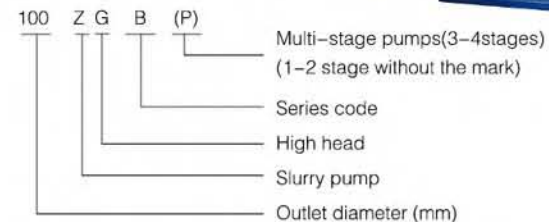
For mechanical seal, the sealing water pressure of each stage of pump is higher 0.1MPa than pump discharge pressure

2) Sealing water pressure (see table 1)

#### 型号意义

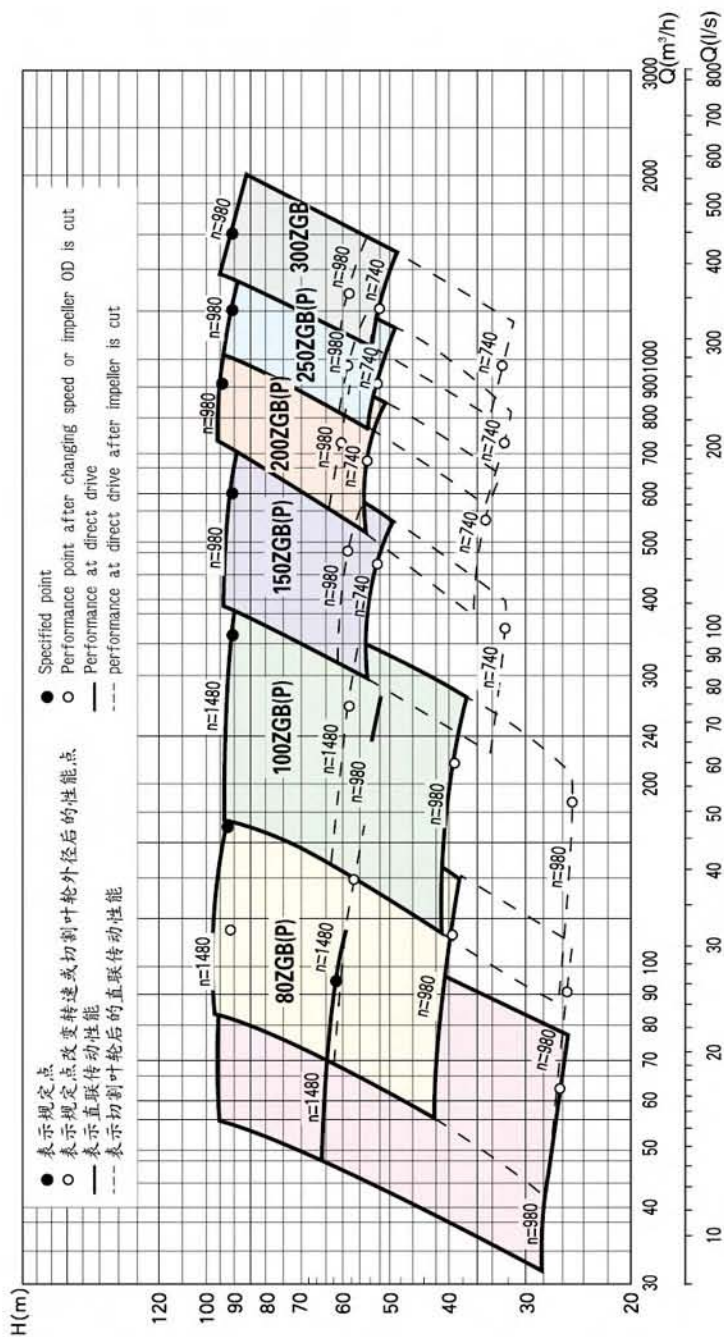


#### Type Notation



泵型号 PUMP TYPE	托架 Frame	轴封水量(l/s) Sealing water	轴封水接口 Sealing water joint	托架冷却水接口 Cooling water joint on frame	托架冷却水压口 Cooling water pressure	
65ZGB	320	0.5	1/4"	1/2", 3/8"	0.05 - 0.2MPa	
80ZGB 100ZGB	406	0.7	1/2"	3/4", 1/2"		
80ZGBP 100ZGBP	406A					
150ZGB 200ZGB	565	1.2	1/2"	3/4", 3/4"		
150ZGBP 200ZGBP	565A					
250ZGB 300ZGB	743					1"
250ZGBP	743A					

ZGB(P)型渣浆泵型谱  
ZGB(P) Pump Selection Chart



泵型号 Pump Type	清水性能(CLEAR WATER PERFORMANCE)					轴功率 Shaft Power Pa (Kw)	配套电机型号 功率/电压 Motor Type POWER/VOLT	叶轮直径 IMPELLER Dia. (mm)	泵重量 PUMP weight (Kg)	排出口直径 吸入口直径 Discharge Suction (mm)
	转速 Speed n (r/min)	流量 Capacity Q (l/s)	扬程 Head H (m)	效率 Eff. $\eta$ (%)	汽蚀 余量 NPSH (m)					
65ZGB	1480	31.7	58	62.5	4.5	28.8	Y250M-4,55kW/380v	390	1850	65 80
		26.4	60	59.8	3.7	25.9	Y225M-4,45kW/380v			
		15.8	61	47.4	3.0	19.9	Y200L-4,30kW/380v			
	980	21.0	25.4	62.5	2.0	8.37	Y180L-6,15kW/380v			
		17.5	26.3	59.8	1.8	7.5	Y180L-6,15kW/380v			
80ZGB(P)	1480	56.7	87.5	66.1	5.2	73.7	Y315M1-4132kW/380v	485	2500	80 100
		47.2	90.0	63	4.1	66.1	Y315S-4,110kW/380v			
		28.3	91.6	48.7	2.7	52.2	Y280M-4,90kW/380v			
	980	37.5	38.4	66.1	2.3	21.4	Y250M-6,37kW/380v			
		31.3	39.5	63	1.8	19.2	Y225M-6,30kW/380v			
		18.8	40.2	48.7	1.2	15.2	Y225M-6,30kW/380v			
	1480	52.0	73.7	66.1	4.4	56.8	Y280M-4,90kW/380v	445		
		43.3	75.8	63	3.5	51.1	Y280S-4,75kW/380v			
		26.0	77.1	48.7	2.3	40.4	Y280S-4,75kW/380v			
	980	34.4	32.3	66.1	1.9	16.5	Y225M-6,30kW/380v	400		
		28.7	33.2	63	1.5	14.8	Y200L2-6,22kW/380v			
		17.2	33.8	48.7	1.0	11.7	Y200L1-6,18.5kW/380v			
	1480	46.8	59.5	66.1	3.5	41.3	Y280S-4,75kW/380v	400		
		38.9	61.2	63	2.8	37.0	Y250M-4,55kW/380v			
		23.3	62.3	48.7	1.8	29.2	Y250M-4,55kW/380v			
980	31.0	26.1	66.1	1.5	12.0	Y200L1-6,18.5kW/380v	400			
	25.8	26.8	63	1.2	10.8	Y200L1-6,18.5kW/380v				
	15.4	27.3	48.7	0.8	8.4	Y180L-6,15kW/380v				
100ZGB(P)	1480	116.7	85.1	77.9	6.0	124.9	Y315L2-4,200kW/380v	500	3000	100 152
		97.2	88.2	74.4	3.8	113.0	Y315L-4,185kW/380v			
		58.3	91.8	57.4	2.6	91.4	Y315M2-4,160kW/380v			
	980	77.3	37.3	77.9	2.7	36.3	Y280M-6,55kW/380v			
		64.4	38.7	74.4	1.7	32.8	Y280M-6,55kW/380v			
		38.6	40.3	57.4	1.2	26.6	Y280S-6,45kW/380v			
	1480	105	68.9	77.9	4.9	91.0	Y315M2-4,160kW/380v	450		
		87.5	71.4	74.4	3.1	82.3	Y315M1-4,132kW/380v			
		52.5	74.4	57.4	2.1	66.7	Y315S-4,110kW/380v			

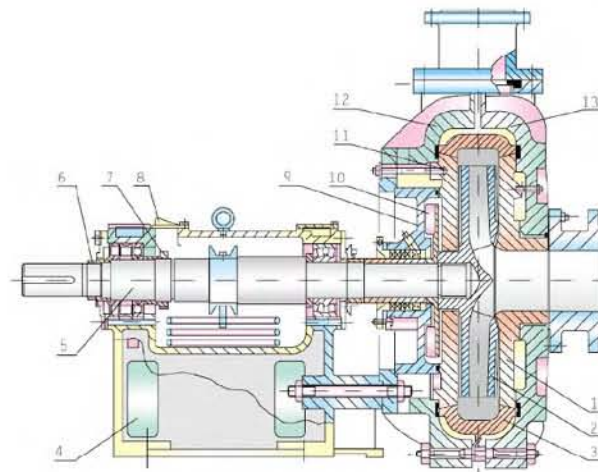
泵型号 Pump Type	清水性能(CLEAR WATER PERFORMANCE)					轴功率 Shaft power Pa (Kw)	配套电机型号 功率/电压 Motor Type POWER/VOLT	叶轮直径 IMPELLER Dia. (mm)	泵重量 PUMP Weight (Kg)	排出口直径		
	转速 Speed n (r/min)	流量 Capacity Q (l/s)	扬程 Head H (m)	效率 Eff. η (%)	汽蚀 余量 NPSH (m)					Discharge (mm)	吸入口直径 Suction (mm)	
100ZGB(P)	980	69.5	30.2	77.9	2.1	26.4	Y280S-6,45kW/380v	450	3000	100	152	
		57.9	31.3	74.4	1.7	23.9	Y250M-6,37kW/380v					
		34.8	32.6	57.4	1.1	19.4	Y225M-6,30kW/380v					
	1480	93.4	54.5	77.9	3.8	64.0	Y315S-4,110kW/380v	400				
		77.8	56.4	74.4	2.4	57.8	Y280M-4,90kW/380v					
		46.7	58.8	57.4	1.7	46.9	Y280S-4,75kW/380v					
	980	61.8	23.9	77.9	1.7	18.6	Y225M-6,30kW/380v	400				
		51.5	24.7	74.4	1.1	16.8	Y225M-6,30kW/380v					
		30.9	25.8	57.4	0.8	13.6	Y200L2-6,22kW/380v					
150ZGB(P)	980	200	85.2	77.7	3.8	215.0	Y400-6,355kW/6kv	740	3450	150	200	
		167.0	87.5	70.0	3.5	204.7	Y400-6,315kW/6kv					
		100.0	90.0	53.3	2.7	165.5	Y400-6,280kW/6kv					
	740	151.2	48.6	77.7	2.2	92.7	Y355M2-8,160kW/380v					
		126.0	49.9	70.0	2.0	88.1	Y355M2-8,160kW/380v					
		75.6	51.3	53.3	1.5	71.3	Y355M1-8,32kW/380v					
	980	182.4	73.0	77.7	3.3	168.0	Y400-6,280kW/6kv					685
		152.0	75.0	70.0	3.0	159.7	Y355L2-6,250kW/380v					
		91.2	77.1	53.3	2.3	129.3	Y355L1-6,220kW/380v					
	740	140.0	41.6	77.7	1.9	74.2	Y355M1-8,132kW/380v					685
		117.0	42.8	70.0	1.7	70.1	Y315M3-8,110kW/380v					
		70.2	44.0	53.3	1.3	56.8	Y315M2-8,90kW/380v					
	980	169.2	61.8	77.7	2.8	131.9	Y355L1-6,220kW/380v					630
		141.0	63.4	70.0	1.5	125.2	Y355M3-6,200kW/380v					
		84.6	65.2	53.3	1.1	101.5	Y355M1-6,160kW/380v					
740	129.6	35.2	77.7	1.6	57.6	Y315M2-8,90kW/380v	630					
	108.0	36.1	70.0	0.9	54.6	Y315M2-8,90kW/380v						
	64.8	37.2	53.3	0.6	44.3	Y315M1-8,75kW/380v						
200ZGB(P)	980	300.0	89.0	76.3	6.7	342.9	Y450-6,560kW/6KV	740	4000	200	250	
		250.0	93.4	73.7	5.6	310.5	Y450-6,560kW/6KV					
		150.0	94.2	63.2	2.7	219.1	Y400-6,355kW/6KV					
	740	226.5	50.7	76.3	3.8	147.5	Y400-8,220kW/6KV					
		188.5	53.3	73.7	3.2	134.3	Y355L2-8,200kW/380V					
		113.3	53.7	63.2	1.5	94.3	Y35M2-8,160kW/380V					

泵型号 Pump Type	清水性能(CLEAR WATER PERFORMANCE)					轴功率 Shaft Power Pa (Kw)	配套电机型号 功率/电压 Motor Type POWER/VOLT	叶轮直径 IMPELLER Dia. (mm)	泵重量 PUMP Weight (Kg)	排出口直径		
	转速 Speed n (r/min)	流量 Capacity Q (l/s)	扬程 Head H (m)	效率 Eff. η (%)	汽蚀 余量 NPSH (m)					Discharge (mm)	吸入口直径 Suction (mm)	
200ZGB(P)	980	283.8	79.6	76.3	6.0	290.2	Y450-6,450kW/6KV	700	4000	200	250	
		236.5	83.4	73.7	5.0	262.3	Y400-6,400kW/6KV					
		141.9	84.3	63.2	2.4	185.8	Y400-6,280kW/6KV					
	740	214.3	45.4	76.3	3.4	125.0	Y355L2-8,200kW/380V					
		178.6	47.6	73.7	2.9	113.0	Y355L1-8,185kW/380V					
		107.1	48.1	63.2	1.4	80.0	Y315M1-8,132kW/380V					
	980	259.5	66.6	76.3	5.0	222.0	Y400-6,355kW/6KV					640
		216.2	69.9	73.7	4.2	210.0	Y400-6,315kW/6KV					
		129.7	70.5	63.2	2.0	141.8	Y355L1-6,220kW/380V					
	740	195.9	38.0	76.3	2.9	95.6	Y355M2-8,160kW/380V					
		134.9	39.9	73.7	2.4	71.6	Y315M3-8,110kW/380V					
		97.9	40.2	63.2	1.1	61.0	Y315M3-8,110kW/380V					
250ZGB(P)	980	400.0	84.0	78.2	7.3	421.2	Y450-6,630kW/6KV	740	4500	250	300	
		333.3	88.0	77.0	5.7	373.4	Y450-6,560kW/6KV					
		200.0	90.1	64.1	3.3	275.6	Y450-6,450kW/6KV					
	740	302.0	47.9	78.2	4.2	181.4	Y400-8,280kW/6KV					
		251.7	50.2	77.0	3.3	160.9	Y400-8,250kW/6KV					
		151.0	51.4	64.1	1.9	118.7	Y355L1-8,185kW/380V					
	980	378.4	75.2	78.2	7.1	356.7	Y450-6,560kW/6KV					
		315.3	78.7	77.0	5.1	315.9	Y450-6,500kW/6KV					
		189.2	80.6	64.1	3.0	233.2	Y400-6,355kW/6KV					
	740	285.7	42.9	78.2	4.0	153.7	Y400-8,250kW/6KV					
		238.1	44.9	77.0	2.9	136.1	Y400-8,220kW/6KV					
		142.9	46.0	64.1	1.7	100.5	Y355M2-8,160kW/380V					
980	348.6	63.8	78.2	5.5	278.8	Y450-6,450kW/6KV	645					
	290.5	66.9	77.0	4.3	247.4	Y400-6,400kW/6KV						
	131.6	68.5	64.1	2.5	137.9	Y355L1-6,220kW/380V						
740	263.2	36.4	78.2	3.1	120.1	Y355L1-8,185kW/380V						
	219.4	38.1	77.0	2.5	106.4	Y355L1-8,185kW/380V						
	99.4	39.1	64.1	1.4	59.4	Y315M3-8,110kW/380V						



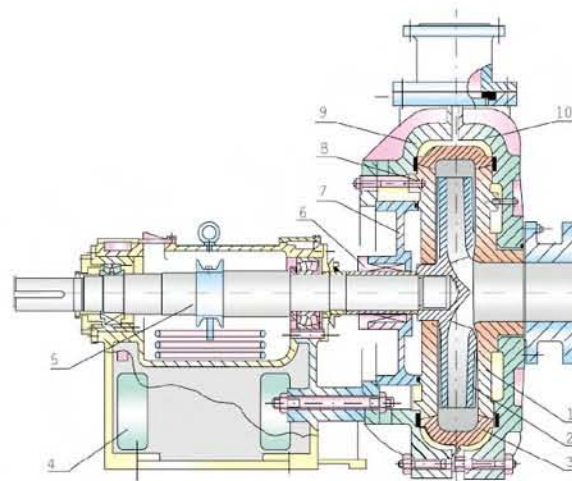
泵型号 Pump Type	清水性能(CLEAR WATER PERFORMANCE)					轴功率 Shaft Power Pa (Kw)	配套电机型号 功率/电压 Motor Type POWER/VOLT	叶轮直径 IMPELLER Dia. (mm)	泵重量 PUMP Weight (Kg)	排出口直径	
	转速 Speed n (r/min)	流量 Capacity Q (l/s)	扬程 Head H (m)	效率 Eff. $\eta$ (%)	汽蚀 余量 NPSH (m)					吸入口直径 Discharge	吸入口直径 Suction (mm)
300ZGB	980	533.3	84.3	81.2	6.9	542.8	Y500-6,710kW/6KV	760	5500	300 350	
		444.4	89.8	80.0	5.0	489.1	Y500-6,710kW/6KV				
		266.7	93.4	68.3	3.5	357.6	Y450-6,560kW/6KV				
	740	402.7	48.1	81.2	3.9	233.9	Y450-8,400kW/6KV				
		335.6	51.2	80.0	2.9	210.6	Y450-8,315kW/6KV				
		201.3	53.3	68.3	2.0	154.0	Y400-8,250kW/6KV				
	980	493.3	72.1	81.2	5.9	429.4	Y450-6,630kW/6KV	703			
		411.1	76.8	80.0	4.3	386.9	Y450-6,630kW/6KV				
		246.7	79.9	68.3	3.0	282.9	Y450-6,450kW/6KV				
	740	372.5	41.1	81.2	3.4	184.8	Y450-8,315kW/6KV				
		310.4	43.8	80.0	2.5	166.6	Y400-8,280kW/6KV				
		177.9	45.6	68.3	1.7	116.4	Y355L1-8,185kW/380V				
	980	453.3	60.9	81.2	5.0	333.3	Y450-6,560kW/6KV	646			
		377.8	64.9	80.0	3.6	300.5	Y450-6,500kW/6KV				
		226.7	67.5	68.3	2.5	219.7	Y400-6,355kW/6KV				
	740	342.3	34.7	81.2	2.9	143.4	Y400-8,250kW/6KV				
		285.3	37.0	80.0	2.1	129.4	Y355L2-8,200kW/6KV				
		171.2	38.5	68.3	1.4	94.6	Y355M2-8,160kW/6KV				

图1. ZGB系列渣浆泵  
Series ZGB Slurry Pump

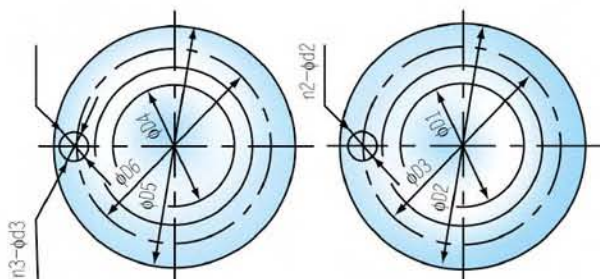


1. 前护板/Cover plate liner insert
2. 叶轮/Impeller
3. 护套/Volute liner
4. 托架体/Base
5. 轴/Shaft
6. 螺母乙/Adjusting screw(b)
7. 调整螺母甲/Adjusting screw(a)
8. 调整孔盖/Adjusting cover
9. 减压盖/Expeller ring
10. 付叶轮/Expeller
11. 后护板/Frame plate liner insert
12. 泵体/Frame plate
13. 泵盖/Cover plate

图2. ZGBP系列渣浆泵  
Series ZGBP Slurry Pump

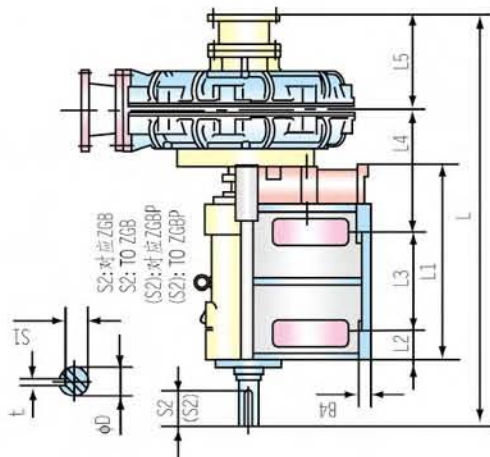
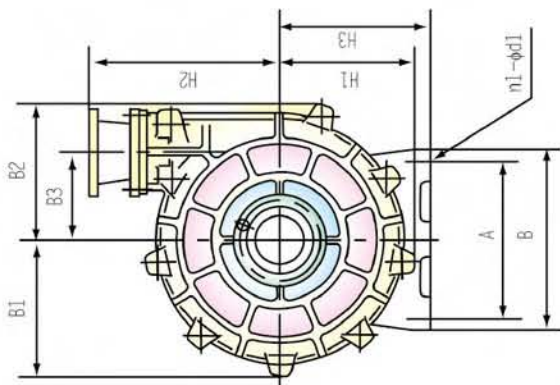


1. 前护板/Cover plate liner insert
2. 叶轮/Impeller
3. 护套/Volute liner
4. 托架体/Base
5. 轴/Shaft
6. 机械密封/Mechanical seal
7. 密封箱/Sealing box
8. 后护板/Frame plate liner insert
9. 泵体/Frame plate
10. 泵盖/Cover plate



吐出口法兰  
DISCHARGE  
FLANGE

吸入口法兰  
SUCTION  
FLANGE



型号/Type	A	B	B1	B2	B3	B4	D	D1	D2	D3	D4	D5	D6	H1	H2	H3	L	L1	L2	L3	L4	L5	n1-φd1	n2-φd2	n3-φd3	S1	S2	S2 (S2)	t
65ZGB	432	492	352.5	377	220	45	$65^{+0.01}_{-0.01}$	80	210	168.5	65	190	149	360.5	475	415	1379.5	580	45	340	400.5	330	4-φ22	8-φ22	8-φ22	58 <sup>+0.2</sup>	150	18 <sup>+0.04</sup>	
80ZGB(P)	560	636	360	445	279	50	$80^{+0.01}_{-0.01}$	100	255	200	80	210	168.5	383	560	520	1598	725	72	440	451	296	4-φ29	8-φ22	8-φ22	71 <sup>+0.2</sup>	203	22 <sup>+0.04</sup>	
100ZGB(P)	560	636	395	467	290	50	$80^{+0.01}_{-0.01}$	152	320	270	100	275	216	394	597	520	1718	725	72	440	467	402	4-φ29	12-φ22	8-φ26	71 <sup>+0.2</sup>	203	22 <sup>+0.04</sup>	
150ZGB(P)	760	840	619	684	453	60	$120^{+0.03}_{-0.03}$	200	380	330	150	320	270	655	820	650	2006	1013	118	460	615	388	4-φ35	12-φ26	12-φ22	109 <sup>+0.2</sup>	200	180	32 <sup>+0.04</sup>
200ZGB(P)	760	840	675	735	460	60	$120^{+0.03}_{-0.03}$	250	425	370	200	380	330	695	880	650	2213	1013	118	560	628	579	4-φ40	16-φ30	16-φ30	109 <sup>+0.2</sup>	200	180	32 <sup>+0.04</sup>
250ZGB(P)	780	950	645	710	460	60	$120^{+0.03}_{-0.03}$	300	515	450	250	445	387.5	680.3	974	650	2160	978	128	550	628	500	4-φ40	20-φ33	16-φ33	109 <sup>+0.2</sup>	200	180	32 <sup>+0.04</sup>
300ZGB	780	950	649	766	472	60	$120^{+0.03}_{-0.03}$	350	585	514.5	300	520	451	676	883	650	2282	978	128	550	668	610	4-φ40	20-φ33	16-φ33	109 <sup>+0.2</sup>	200	180	32 <sup>+0.04</sup>

## ZJ系列渣浆泵 ZJ Slurry Pump

### 产品特点

◆结构型式：按结构分为单壳泵和双壳泵两类。其中单壳泵包括ZJD、ZJL、ZJG等形式；双壳泵包括ZJ、ZJJ、ZJG等形式。按出口直径分为400mm、350mm、300mm、250mm、200mm、150mm、100mm、80mm、65mm、50mm、40mm等多种规格。

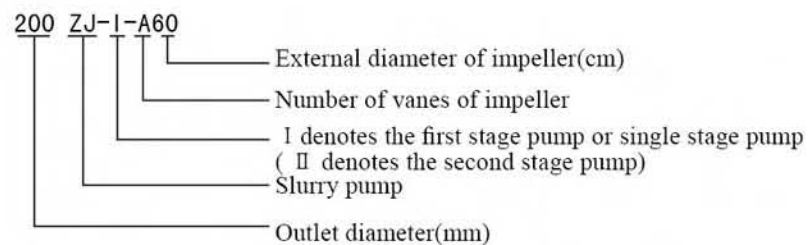
### Product Features

Mode of construction: According to mode of construction, the pumps are classified into single-case and Double-case pumps. Double-case pumps consist of ZJ, ZJJ and ZJG pump. The outlet diameters of pumps vary from 400mm to 350mm, 300mm, 250mm, 200mm, 150mm, 100mm, 80mm, 65mm, 50mm, 40mm, etc.

### 型号意义



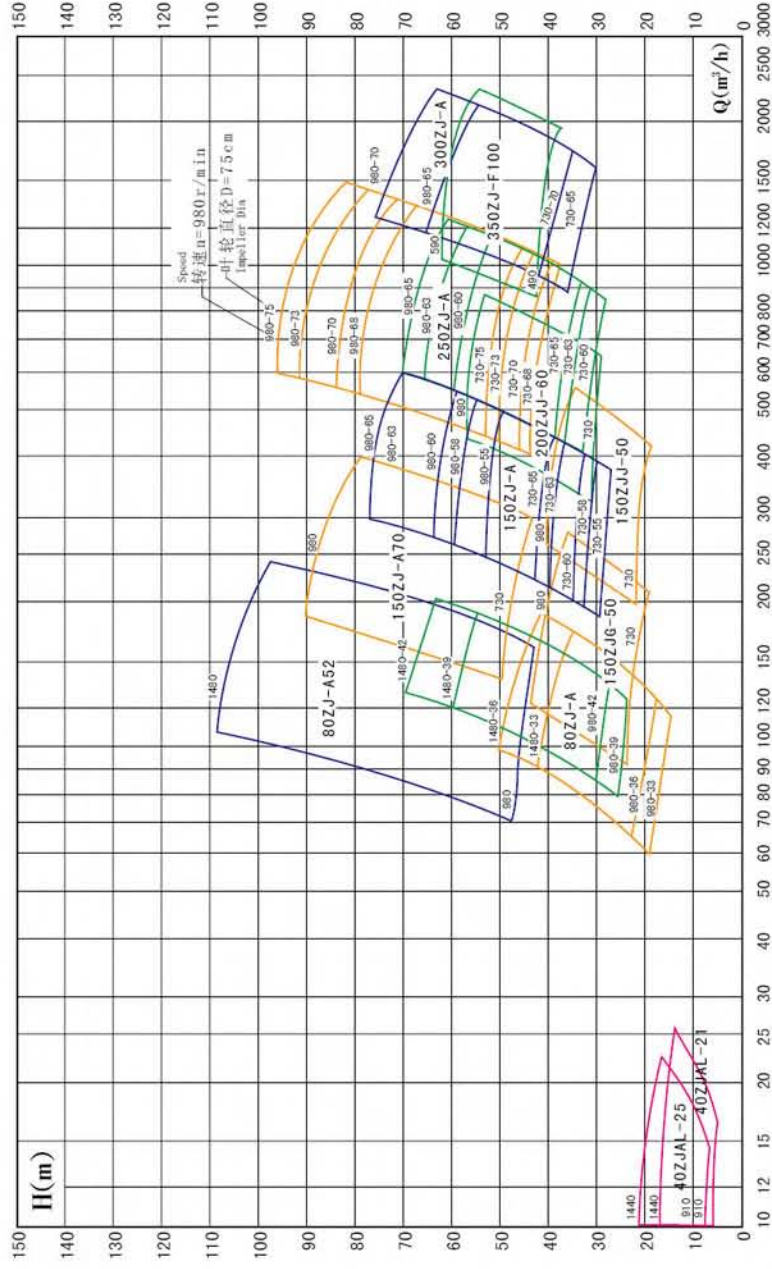
### Type Notation



代号 (Symbol)	A	B	C	D	E	F	G	...
叶片数目 (Number of vanes)	5	4	3	2	1	6	7	...

### ZJ 系列渣浆泵选型谱图(1)

Selection Chart and Performance of ZJ Series Slurry Pumps (1)

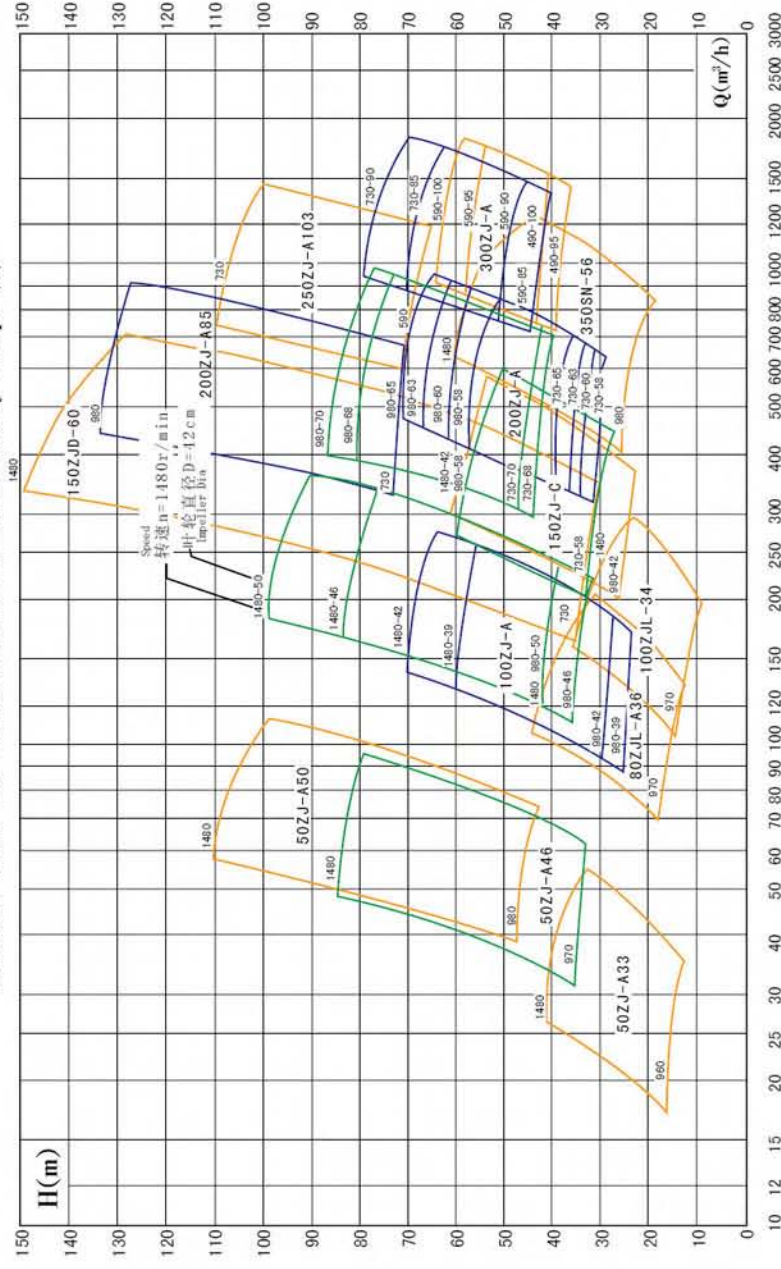


注：清水近似性能，仅供初步选型用。

Note: Approximate performance for clear water to be used for primary selection only.

### ZJ 系列渣浆泵选型谱图(2)

Selection Chart and Performance of ZJ Series Slurry Pumps (2)

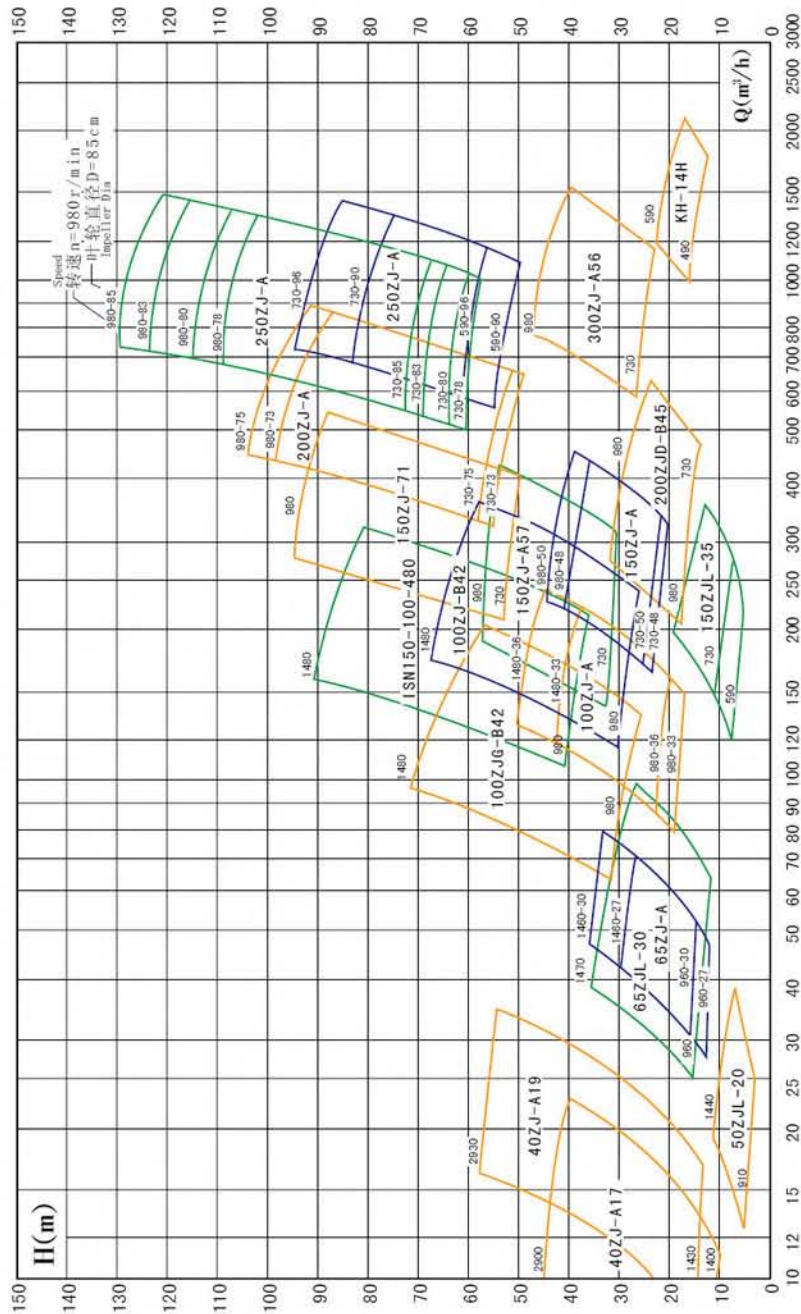


注：清水近似性能，仅供初步选型用。

Note: Approximate performance for clear water to be used for primary selection only.

ZJ 系列渣浆泵选型谱图(3)

Selection Chart and Performance of ZJ Series Slurry Pumps (3)



注：清水近似性能，仅供初步选用。

Note: Approximate performance for clear water to be used for primary selection only.

ZJ 系列渣浆泵主要技术参数(1)

Performance and Main Specification of ZJ Slurry Pumps (1)

型号 Type	允许配带最大 功率 Allowable max. power of ass. motor(kW)	清水性能 Clear water performance					间断通过 最大粒度 Particle max. size handled occasionally (mm)	泵重 Pump weight (kg)
		流量Q Capacity (m³/h)	扬程H Head (m)	转速n Speed (r/min)	最高效率 $\eta$ Max. eff. (%)	汽蚀余量 (NPSH)r (m)		
350ZJ-I-F100	560	526-2339	14.9-62.8	300-590	77.6	4.4	96	5465
300ZJ-I-A100	450	464-1826	15.3-65.2	300-590	81.1	3.0	88	5265
300ZJ-I-A95	400	441-1735	13.8-58.8	300-590	78.1	3.0	88	5220
300ZJ-I-A90	560	505-1844	21.2-79.9	400-730	82.8	3.9	85	5005
300ZJ-I-A85	450	477-1742	18.9-71.3	400-730	79.8	3.8	85	4965
300ZJ-I-A70	630	635-2333	16.0-76.8	490-980	80.4	3.9	92	3560
300ZJ-I-A65	500	589-2166	13.8-66.2	490-980	77.4	3.7	92	3531
300ZJ-I-A56	250	395-1568	9.7-46.0	490-980	80.9	3.5	96	3030
250ZJ-I-A103	560	402-1573	29.7-110.5	400-730	74.5	2.8	69	5085
250ZJ-I-A96	560	403-1466	25.4-93.7	400-730	77.8	3.5	69	5035
250ZJ-I-A90	450	378-1374	22.3-82.4	400-730	73.8	3.4	69	4980
250ZJ-I-A85	800	376-1504	30.1-128.7	490-980	76.5	3.5	76	4530
250ZJ-I-A83	800	367-1469	28.7-122.7	490-980	75.5	3.5	76	4514
250ZJ-I-A80	710	354-1416	26.7-114.0	490-980	73.5	3.4	76	4490
250ZJ-I-A78	630	345-1380	25.4-108.4	490-980	71.5	3.2	76	4474
250ZJ-I-A75	560	300-1480	20.8-97.5	490-980	77.5	3.0	72	3480
250ZJ-I-A73	500	292-1441	19.7-92.4	490-980	76.5	3.0	72	3466
250ZJ-I-A70	450	280-1381	18.1-84.9	490-980	74.5	2.9	72	3446
250ZJ-I-A68	450	272-1342	17.1-80.1	490-980	73.5	2.7	72	3432
250ZJ-I-A65	315	299-1249	15.4-71.0	490-980	76.9	3.0	72	3020
250ZJ-I-A63	315	290-1211	14.4-66.7	490-980	75.9	3.0	72	3008
250ZJ-I-A60	280	276-1153	13.1-60.5	490-980	73.9	2.8	72	2991

### ZJ 系列渣浆泵主要技术参数(2)

Performance and Main Specification of ZJ Slurry Pumps (2)

型号 Type	允许配带最大 功率 Allowable max. power of ass. motor(kW)	清水性能 Clear water performance					间断通过 最大粒度 Particle max. size handled occasionally (mm)	泵重 Pump weight (kg)
		流量Q Capacity (m³/h)	扬程H Head (m)	转速n Speed (r/min)	最高效率η Max. eff. (%)	汽蚀余量 (NPSH)r (m)		
200ZJ-I-A85	560	221-907	32.0-133.7	490-980	70.5	2.8	54	4110
200ZJ-I-A75	355	225-900	22.8-102.9	490-980	74.1	3.0	56	3070
200ZJ-I-A73	355	219-876	21.6-97.5	490-980	73.1	3.0	56	3056
200ZJ-I-A70	315	205-976	19.4-86.4	490-980	75.6	2.8	56	2465
200ZJ-I-A68	315	199-948	18.3-81.5	490-980	74.6	2.8	56	2453
200ZJ-I-A65	250	235-950	16.4-72.0	490-980	79.6	2.5	62	2323
200ZJ-I-A63	250	228-921	15.4-67.6	490-980	78.6	2.5	62	2311
200ZJ-I-A60	185	218-870	13.9-62.0	490-980	83.5	2.5	62	2223
200ZJ-I-A58	185	211-841	13.0-57.9	490-980	82.5	2.5	62	2214
150ZJ-I-A71	220	142-552	21.8-93.8	490-980	69.8	2.4	48	2263
150ZJ-I-A70	185	93-401	20.0-91.2	490-980	62.3	2.0	37	2245
150ZJ-I-A65	200	150-600	17.4-75.7	490-980	70.8	2.5	48	2223
150ZJ-I-A63	185	146-582	16.3-71.1	490-980	69.8	2.5	48	2211
150ZJ-I-A60	160	135-550	14.7-63.5	490-980	75.9	2.5	48	2203
150ZJ-I-A58	132	131-532	13.7-59.3	490-980	74.9	2.5	48	2033
150ZJ-I-C58	160	134-596	12.8-61.0	490-980	69.1	2.0	75	2063
150ZJ-I-A57	110	95-427	13.2-56.3	490-980	67.8	1.8	32	2023
150ZJ-I-A55	110	124-504	12.3-53.4	490-980	72.9	2.3	48	2019
150ZJ-I-A50	75	115-460	9.5-43.1	490-980	76.8	2.5	48	1735(1648)
150ZJ-I-A48	75	111-442	8.7-39.7	490-980	75.8	2.5	48	1728(1641)
150ZJ-I-C42	132	142-550	12.1-62.8	700-1480	77.1	2.2	69	1605(1518)
100ZJ-I-A50	160	85-360	20.5-100.2	700-1480	69.6	2.5	34	1475(1388)

### ZJ 系列渣浆泵主要技术参数(3)

Performance and Main Specification of ZJ Slurry Pumps (3)

型号 Type	允许配带最大 功率 Allowable max. power of ass. motor(kW)	清水性能 Clear water performance					间断通过 最大粒度 Particle max. size handled occasionally (mm)	泵重 Pump weight (kg)
		流量Q Capacity (m³/h)	扬程H Head (m)	转速n Speed (r/min)	最高效率η Max. eff. (%)	汽蚀余量 (NPSH)r (m)		
100ZJ-I-A46	132	79-331	17.3-84.8	700-1480	67.6	2.3	34	1461(1374)
100ZJ-I-A42	90	66-275	14.7-70.8	700-1480	71.0	2.5	35	1075(1021)
100ZJ-I-B42	90	83-365	12.7-66.8	700-1480	71.6	2.5	40	1085(1031)
100ZJ-I-A39	75	61-255	12.6-61.0	700-1480	69.0	2.4	35	1064(1010)
100ZJ-I-A36	55	61-245	9.7-49.5	700-1480	71.6	2.0	32	1010(956)
100ZJ-I-A33	45	56-225	8.2-41.6	700-1480	69.6	1.8	32	1003(949)
80ZJ-I-A52	160	51-242	22.1-109.8	700-1480	56.3	2.1	21	1465(1378)
80ZJ-I-A42	75	61-204	14.4-70.4	700-1480	66.7	2.5	24	1053(963)
80ZJ-I-A39	55	57-189	12.4-60.7	700-1480	64.7	2.4	24	1042(952)
80ZJ-I-A36	45	46-190	9.6-51.4	700-1480	67.7	2.5	24	980(926)
80ZJ-I-A33	37	43-174	8.0-43.2	700-1480	65.7	2.3	24	973(919)
65ZJ-I-A30	15	23-79	7.4-34.8	700-1460	63.5	2.0	19	504(512)
65ZJ-I-A27	11	20-71	6.0-28.8	700-1460	61.5	1.8	19	500(508)
50ZJ-I-A50	90	27-111	22.3-110.7	700-1480	45.1	3.0	13	1378
50ZJ-I-A46	55	23-94	17.9-85.8	700-1480	44.7	1.4	14	1082(992)
50ZJ-I-A33	18.5	12-54	7.7-42.5	700-1480	42.1	2.9	13	537(545)
40ZJ-I-A19	15	8-35	12.8-57.1	1430-2930	58.8	1.3	11	173
40ZJ-I-A17	7.5	4-23	9.0-44.6	1400-2900	52.4	2.5	11	121(127)
150ZJL-I-A35	37	99-364	3.0-17.9	490-980	69.0	—	15	800
100ZJL-I-A34	45	74-293	5.5-36.8	700-1480	65.8	—	14	630
80ZJL-I-A36	45	50-201	7.3-45.5	700-1480	58.2	—	12	650

### ZJ 系列渣浆泵主要技术参数(4)

#### Performance and Main Specification of ZJ Slurry Pumps (4)

型号 Type	允许配带最大 功率 Allowable max. power of ass. motor(kW)	清水性能 Clear water performance					间断通过 最大粒度 Particle max. size handled occasionally (mm)	泵重 Pump weight (kg)
		流量Q Capacity (m <sup>3</sup> /h)	扬程H Head (m)	转速n Speed (r/min)	最高效率η Max.eff. (%)	汽蚀余量 (NPSH)r (m)		
65ZJL-A30	18.5	18-98	5.9-34.7	700-1470	53.7	/	8	440
50ZJL-A20	4	8-38	1.4-10.7	700-1440	38.6	/	10	240
40ZJL-B25	4	4.9-22.9	4.0-21.5	700-1440	37.6	/	8	225
40ZJL-A21	4	4.6-25.9	3.3-17.0	700-1440	44.6	/	10	210
200ZJD-B45	90	150-600	7.8-30.6	490-980	80.0	2.0	51	1750
150ZJD-A60	450	156-704	28.9-150	700-1480	70.7	2.1	39	1657
200ZJI-I-A60	200	218-870	13.5-57.3	490-980	77.3	2.7	62	1820
150ZJI-I-A50	90	133-567	8.9-41.1	490-980	79.5	1.8	46	1477(1390)
150ZJG-I-A50	55	62-280	9.3-44.6	490-980	65.7	2.1	29	1470
100ZJG-I-B42	75	45-205	12.6-70.7	700-1480	63.2	1.8	18	1080(990)
150CH-F50	250	156-719	18.5-96.2	700-1480	76.0	2.5	/	1150
350XH-78	450	720-2826	11.6-49.8	400-730	78.0	3.5	/	3700
KH-14H	132	615-2178	4.1-21.6	300-590	80.0	2.5	/	2466
350SN-56	220	283-1257	10.1-61.8	700-1480	84.5	3.3	/	3290
ISN150-100-480	110	76-235	18.0-90.2	700-1480	72.2	1.4	/	1477(1390)

注：1. (NPSH)r 系指本样本中第二档转速时规定点之值。

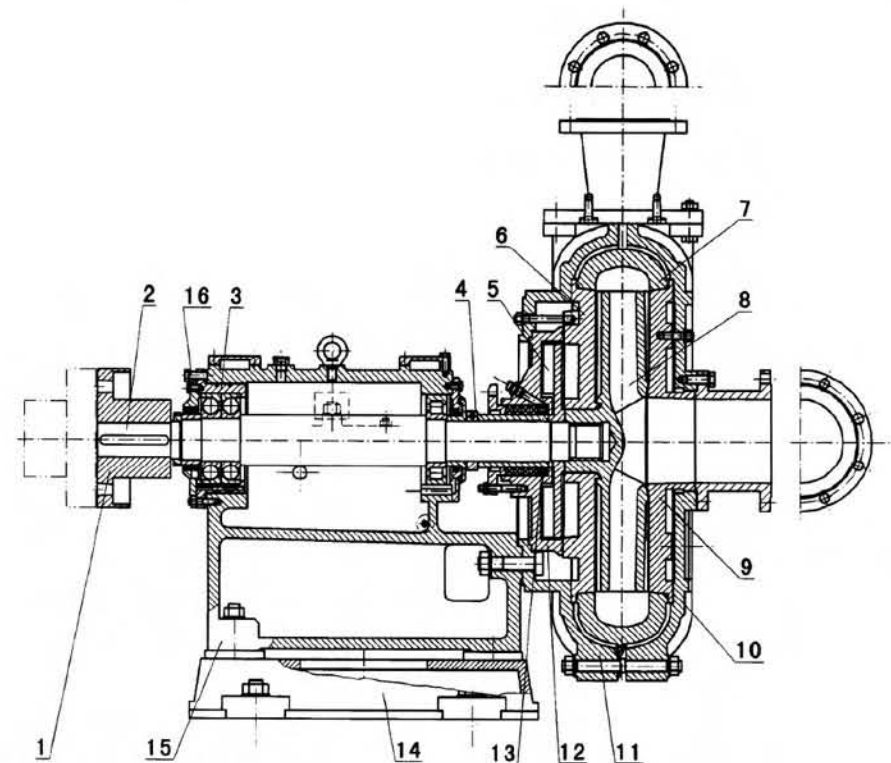
2. 正常通过粒度为允许间断通过的最大粒度的56%。

3. 泵重量栏中，有两数值的为共同底座的泵。其中括号外数据为高转速参数下泵的重量，括号内数据为低转速参数下泵的重量。

Note:1.(NPSH)r refers to the value at the specified point at the second speed in the sample book.

2.The normal size of particle handled is 56% of the max.size that can be handled occasionally.

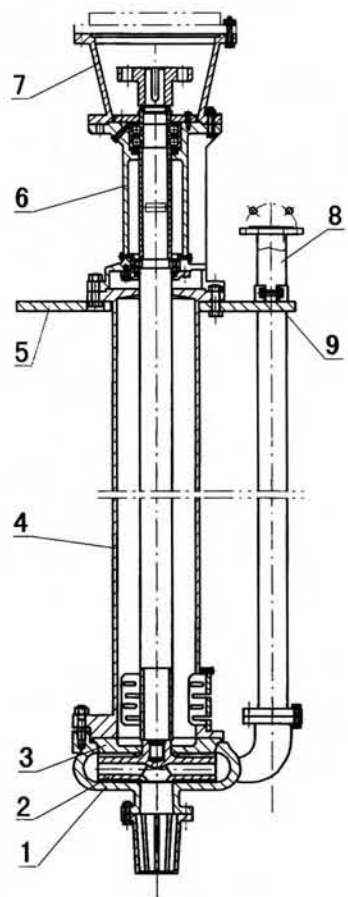
3.There are two weight data on common bases. They are the weight data of the high speed pumps without brackets,the slow speed pumps in brackets.



ZJ 型渣浆泵结构图

Structural Drawing of ZJ Slurry Pumps

- |                        |                         |
|------------------------|-------------------------|
| 1.联轴器 Coupling         | 9.前护板 Front liner plate |
| 2.轴 Shaft              | 10.前泵壳 Front casing     |
| 3.轴承箱 Bearing housing  | 11.后泵壳 Rear casing      |
| 4.拆卸环 Disassembly ring | 12.填料箱 Stuffing box     |
| 5.副叶轮 Expeller         | 13.水封环 Lantern Ring     |
| 6.后护板 Back liner       | 14.底座 Base              |
| 7.蜗壳 Volute Liner      | 15.托架 Support           |
| 8.叶轮 Impeller          | 16.调节螺钉 Adjusting bolts |



ZJL 型渣浆泵结构图

Structural Drawing of ZJL Slurry Pumps

- |                    |                               |
|--------------------|-------------------------------|
| 1.蜗壳 Volute Casing | 5.左支承板 Left supporting plate  |
| 2.叶轮 Impeller      | 6.轴承体 Bearing body            |
| 3.后护板 Back liner   | 7.电机支座 Motor supporting       |
| 4.支架 Support       | 8.出水管 Discharge Pipe          |
|                    | 9.右支承板 Right supporting plate |

ZJ 型渣浆泵直联传动清水性能(1)

The Clear Water Performance of ZJ Slurry Pumps (Directly-Coupled Type)(1)

型号 Type	转速	流量	扬程	轴功率	效率	必需汽蚀	配套电机	
	Speed	Capacity	Head	Power of shaft	Eff.	余量	Motors	
	n	Q	H	Pa	$\eta$	(NPSH)r	型号 Type	功率/电压 Power/Voltage
	r/min	m <sup>3</sup> /h	m	kw	%	m		kw/V
350ZJ-I-F100	590	1035	62.8	293.1	60.4	5.8	Y450-10	355/6000
		1988	59.4	417.6	77.0		Y500-10	500/6000
		2339	55.0	455.6	76.9		Y500-10	560/6000
	490	860	43.3	167.9	60.4	4.4	Y450-12	220/6000
		1651	41.0	239.4	77.0		Y500-12	315/6000
		1943	37.9	260.8	76.9		Y500-12	315/6000
300ZJ-I-A100	590	913	65.2	243.0	66.7	4.1	Y450-10	315/6000
		1785	59.7	361.0	80.4		Y500-10	450/6000
		1826	59.3	365.4	80.7		Y500-10	450/6000
	490	758	45.0	139.3	66.7	3.0	Y450-12	185/6000
		1482	41.2	206.8	80.4		Y450-12	250/6000
		1517	40.9	209.4	80.7		Y450-12	250/6000
300ZJ-I-A95	590	867	58.8	217.9	63.7	4.1	Y450-10	280/6000
		1696	53.9	321.6	77.4		Y500-10	400/6000
		1735	53.5	325.3	77.7		Y500-10	400/6000
	490	720	40.6	125.0	63.7	3.0	Y450-12	185/6000
		1408	37.2	184.3	77.4		Y450-12	220/6000
		1441	36.9	186.4	77.7		Y450-12	220/6000
300ZJ-I-A90	730	922	79.9	290.3	69.1	5.7	Y450-8	355/6000
		1648	73.6	410.3	80.5		Y500-8	500/6000
		1844	70.7	436.2	81.4		Y500-8	560/6000
	590	745	52.2	153.3	69.1	3.9	Y450-10	185/6000
		1332	48.1	216.7	80.5		Y450-10	280/6000
		1490	46.2	230.3	81.4		Y450-10	280/6000
300ZJ-I-A85	730	871	71.3	255.9	66.1	5.6	Y450-8	315/6000
		1556	65.6	358.7	77.5		Y450-8	450/6000
		1742	63.1	381.8	78.4		Y450-8	450/6000
	590	704	46.6	135.2	66.1	3.8	Y355L2-10	160/380
		1258	42.9	189.6	77.5		Y450-10	220/6000
		1408	41.2	201.5	78.4		Y450-10	250/6000

注：表中效率为采用填料轴封之值。

Note: The efficiency refers to the value when packing seal is used.

### ZJ 型渣浆泵直联传动清水性能(2)

The Clear Water Performance of ZJ Slurry Pumps (Directly-Coupled Type)(2)

型号 Type	转速 Speed	流量 Capacity	扬程 Head	轴功率 Power of shaft	效率 Eff.	必需汽蚀 余量 (NPSH)r	配套电机 Motors	
	n	Q	H	Pa	η	m	型号 Type	功率/电压 Power/Voltage
	r/min	m <sup>3</sup> /h	m	kw	%	m		kw/V
300ZJ-I-A70	980	1269	76.8	368.6	72.0	7.0	Y450-6	450/6000
		2118	66.7	480.9	80.0		Y450-6	630/6000
		2333	64.0	505.8	80.4		Y450-6	630/6000
	730	945	42.6	152.3	72.0	3.9	Y355L1-8	185/380
		1578	37.0	198.8	80.0		Y400-8	250/6000
		1738	35.5	209.0	80.4		Y400-8	250/6000
300ZJ-I-A65	980	1178	66.2	307.8	69.0	6.6	Y450-6	400/6000
		1967	57.5	400.0	77.0		Y450-6	500/6000
		2166	55.2	420.7	77.4		Y450-6	500/6000
	730	877	36.7	127.0	69.0	3.7	Y355M2-8	160/380
		1465	31.9	165.3	77.0		Y355L2-8	200/380
		1614	30.6	173.8	77.4		Y400-8	220/6000
300ZJ-I-A56	980	789	46.0	148.6	66.5	5.5	Y355M2-6	185/380
		1415	40.8	195.6	80.4		Y355L2-6	250/380
		1568	38.8	204.8	80.9		Y355L2-6	250/380
	730	588	25.5	61.4	66.5	3.5	Y315M-8	75/380
		1054	22.6	80.7	80.4		Y315L2-8	110/380
		1168	21.5	84.5	80.9		Y315L2-8	110/380
250ZJ-I-A103	730	734	110.5	366.3	60.3	4.3	Y450-8	450/6000
		1067	106.7	445.5	69.6		Y500-8	560/6000
		1573	98.9	568.7	74.5		Y500-8	710/6000
	590	593	72.2	193.4	60.3	2.8	Y450-10	250/6000
		862	69.7	235.1	69.6		Y450-10	280/6000
		1271	64.6	300.1	74.5		Y450-10	255/6000
250ZJ-I-A96	730	736	93.7	290.7	64.6	5.5	Y450-8	355/6000
		1076	90.0	356.4	74.0		Y450-8	450/6000
		1466	84.5	433.6	77.8		Y500-8	560/6000
	590	595	61.2	153.5	64.6	3.5	Y450-10	185/6000
		870	58.8	188.3	74.0		Y450-10	250/6000
		1185	55.2	229.0	77.8		Y450-10	280/6000

注：表中效率为采用填料轴封之值。

Note: The efficiency refers to the value when packing seal is used.

### ZJ 型渣浆泵直联传动清水性能(3)

The Clear Water Performance of ZJ Slurry Pumps (Directly-Coupled Type)(3)

型号 Type	转速 Speed	流量 Capacity	扬程 Head	轴功率 Power of shaft	效率 Eff.	必需汽蚀 余量 (NPSH)r	配套电机 Motors	
	n	Q	H	Pa	η	m	型号 Type	功率/电压 Power/Voltage
	r/min	m <sup>3</sup> /h	m	kw	%	m		kw/V
250ZJ-I-A90	730	690	82.4	255.5	60.6	5.3	Y450-8	315/6000
		1009	79.1	310.5	70.0		Y450-8	400/6000
		1374	74.3	376.7	73.8		Y450-8	450/6000
	590	558	53.8	134.9	60.6	3.4	Y355L2-10	160/380
		816	51.7	164.1	70.0		Y450-10	200/6000
		1111	48.5	198.8	73.8		Y450-10	250/6000
250ZJ-I-A85	980	752	128.7	446.0	59.1	5.5	Y450-6	560/6000
		1248	124.4	587.2	72.0		Y500-6	710/6000
		1504	120.4	652.3	75.6		Y500-6	800/6000
	730	560	71.4	184.2	59.1	3.5	Y400-8	220/6000
		930	69.0	242.7	72.0		Y450-8	315/6000
		1120	66.8	269.5	75.6		Y450-8	315/6000
250ZJ-I-A83	980	734	122.7	422.1	58.1	5.5	Y450-6	500/6000
		1219	118.6	554.5	71.0		Y500-6	710/6000
		1469	114.8	615.5	74.6		Y500-6	800/6000
	730	547	68.1	174.6	58.1	3.5	Y400-8	220/6000
		908	65.8	229.2	71.0		Y400-8	280/6000
		1094	63.7	254.4	74.6		Y450-8	315/6000
250ZJ-I-A80	980	708	114.0	391.8	56.1	5.4	Y450-6	500/6000
		1175	110.2	511.1	69.0		Y450-6	630/6000
		1416	106.7	566.7	72.6		Y500-6	710/6000
	730	527	63.2	161.7	56.1	3.4	Y400-8	200/6000
		875	61.1	211.0	69.0		Y400-8	280/6000
		1054	59.2	234.1	72.6		Y400-8	280/6000
250ZJ-I-A78	980	830	102.5	374.9	61.8	6.3	Y450-6	450/6000
		1430	92.1	500.9	71.6		Y450-6	560/6000
		1796	84.2	559.5	73.6		Y450-6	630/6000
	730	618	56.9	155.0	61.8	3.2	Y355L1-8	185/380
		1065	51.1	207.0	71.6		Y400-8	250/6000
		1338	46.7	231.2	73.6		Y400-8	280/6000

注：表中效率为采用填料轴封之值。

Note: The efficiency refers to the value when packing seal is used.



### ZJ 型渣浆泵直联传动清水性能(4)

The Clear Water Performance of ZJ Slurry Pumps (Directly-Coupled Type)(4)

型号 Type	转速	流量	扬程	轴功率	效率	必需汽蚀	配套电机	
	Speed	Capacity	Head	Power of shaft	Eff.	余量	Motors	
	n	Q	H	Pa	η	(NPSH)r	型号 Type	功率/电压 Power/Voltage
	r/min	m <sup>3</sup> /h	m	kw	%	m		kw/V
250ZJ-I-A75	980	600	97.5	255.7	62.3	4.1	Y400-6	315/6000
		1100	92.0	362.6	76.0		Y450-6	450/6000
		1480	83.2	443.6	75.6		Y450-6	560/6000
	730	447	54.1	105.7	62.3	3.0	Y355M1-8	132/380
		819	51.0	149.7	76.0		Y355L1-8	185/380
		1102	46.2	183.4	75.6		Y400-8	220/6000
250ZJ-I-A73	980	584	92.4	239.7	61.3	4.1	Y400-6	280/6000
		1071	87.2	339.1	75.0		Y400-6	400/6000
		1441	78.8	414.5	74.6		Y450-6	500/6000
	730	435	51.3	99.1	61.3	3.0	Y355M1-8	132/380
		797	48.3	139.8	75.0		Y355L1-8	185/380
		1073	43.8	171.6	74.6		Y355L2-8	200/380
250ZJ-I-A70	980	560	84.9	218.3	59.3	3.9	Y400-6	280/6000
		1027	80.1	306.9	73.0		Y400-6	400/6000
		1381	72.5	375.6	72.6		Y450-6	450/6000
	730	417	47.1	90.2	58.3	2.9	Y315L2-8	110/380
		764	44.4	126.5	72.0		Y355M2-8	160/380
		1029	40.2	155.2	72.6		Y355L1-8	185/380
250ZJ-I-A68	980	544	80.1	203.5	58.3	3.7	Y355-6	250/6000
		997	75.6	285.1	72.0		Y400-6	355/6000
		1342	68.4	349.1	71.6		Y450-6	450/6000
	730	405	44.5	84.2	58.3	2.7	Y315L2-8	110/380
		743	41.9	117.8	72.0		Y355M2-8	160/380
		999	38.0	144.4	71.6		Y355L1-8	185/380
250ZJ-I-A65	980	597	71.0	178.1	64.8	4.5	Y355-6	220/6000
		970	66.2	233.2	75.0		Y400-6	280/6000
		1249	61.4	271.6	76.9		Y400-6	315/6000
	730	445	39.4	73.7	64.8	3.0	Y315L1-8	90/380
		723	36.7	96.3	75.0		Y355M1-8	132/380
		930	34.1	112.3	76.9		Y355M1-8	132/380

注：表中效率为采用填料轴封之值。

Note: The efficiency refers to the value when packing seal is used.

### ZJ 型渣浆泵直联传动清水性能(5)

The Clear Water Performance of ZJ Slurry Pumps (Directly-Coupled Type)(5)

型号 Type	转速	流量	扬程	轴功率	效率	必需汽蚀	配套电机	
	Speed	Capacity	Head	Power of shaft	Eff.	余量	Motors	
	n	Q	H	Pa	η	(NPSH)r	型号 Type	功率/电压 Power/Voltage
	r/min	m <sup>3</sup> /h	m	kw	%	m		kw/V
250ZJ-I-A63	980	570	66.7	164.8	63.8	4.5	Y355-6	200/6000
		940	62.2	215.2	74.0		Y355-6	250/6000
		1211	57.7	250.7	75.9		Y400-6	315/6000
	730	431	37.0	68.1	63.8	3.0	Y315L1-8	90/380
		701	34.5	89.0	74.0		Y315L2-8	110/380
		901	32.0	103.4	75.9		Y355M1-8	132/380
250ZJ-I-A60	980	551	60.5	146.9	61.8	4.2	Y355M2-6	185/380
		895	56.4	190.9	72.0		Y355L2-6	250/380
		1153	52.3	222.2	73.9		Y400-6	280/6000
	730	411	33.6	60.7	61.8	2.8	Y315M-8	75/380
		667	31.3	79.0	72.0		Y315L2-8	110/380
		858	29.1	92.0	73.9		Y315L2-8	110/380
250ZJ-I-A85	980	441	133.7	321.1	50.0	5.0	Y400-6	400/6000
		858	128.2	437.9	68.4		Y450-6	560/6000
		907	127.9	448.1	70.5		Y450-6	560/6000
	730	329	74.2	133.0	50.0	2.8	Y355M2-8	160/380
		639	71.1	180.9	68.4		Y400-8	220/6000
		676	71.0	185.4	70.5		Y400-8	220/6000
250ZJ-I-A75	980	450	102.9	205.4	61.4	4.5	Y355-6	250/6000
		750	95.7	271.5	72.0		Y400-6	355/6000
		900	91.0	306.4	72.8		Y400-6	355/6000
	730	335	57.1	84.8	61.4	3.0	Y315L2-8	110/380
		559	53.1	112.3	72.0		Y355M1-8	132/380
		670	50.5	126.6	72.8		Y355M2-8	160/380
250ZJ-I-A73	980	438	97.5	192.5	60.4	4.5	Y355-6	250/6000
		730	90.7	254.0	71.0		Y400-6	315/6000
		876	86.2	286.4	71.8		Y400-6	355/6000
	730	326	54.1	79.5	60.4	3.0	Y315L2-8	110/380
		544	50.3	105.0	71.0		Y355M1-8	132/380
		652	47.8	118.2	71.8		Y355M2-8	160/380

注：表中效率为采用填料轴封之值。

Note: The efficiency refers to the value when packing seal is used.

ZJ 型渣浆泵直联传动清水性能(6)

The Clear Water Performance of ZJ Slurry Pumps (Directly-Coupled Type)(6)

型号 Type	转速	流量	扬程	轴功率	效率	必需汽蚀	配套电机	
	Speed	Capacity	Head	Power of shaft	Eff.	余量	Motors	
	n	Q	H	Pa	η	(NPSH)r	型号 Type	功率/电压 Power/Voltage
	r/min	m3/h	m	kw	%	m		kw/V
200ZJ-I-A70	980	409	804	172.5	55.8	3.8	Y355M3-6	200/380
		738	82.3	230.7	71.7		Y400-6	280/6000
		976	77.6	272.8	75.6		Y400-6	315/6000
	730	305	47.9	71.3	55.8	2.8	Y315L1-8	90/380
		550	45.7	95.5	71.7		355M1-8	132/380
		727	43.1	112.9	75.6		Y355M1-8	132/380
200ZJ-I-A68	980	397	81.5	160.8	54.8	3.8	Y355M3-6	200/380
		717	77.7	214.6	70.7		Y355-6	250/6000
		948	73.2	253.3	74.6		Y400-6	315/6000
	730	296	45.2	66.5	54.8	2.8	Y315L1-8	90/380
		534	43.1	88.7	70.7		Y315L2-8	110/380
		706	40.7	104.9	74.6		Y355M1-8	132/380
200ZJ-I-A65	980	470	72.0	145.8	63.2	4.3	Y355M2-6	185/380
		820	68.1	197.5	77.0		Y355-6	250/6000
		950	65.6	213.2	79.6		Y355-6	250/6000
	730	350	40.0	60.3	63.2	2.5	Y315M-8	75/380
		611	37.8	81.7	77.0		Y315L2-8	110/380
		708	36.4	88.2	79.6		Y315L2-8	110/380
200ZJ-I-A63	980	456	67.6	135.0	62.2	4.3	Y355M1-6	160/380
		795	64.0	182.3	76.0		Y355-6	220/6000
		921	61.6	196.6	78.6		Y355-6	250/6000
	730	339	37.5	55.7	62.2	2.5	Y315M-8	75/380
		592	35.5	75.3	76.0		Y315L2-8	110/380
		686	34.2	81.3	78.6		Y315L2-8	110/380
200ZJ-I-A60	980	435	62.0	114.0	64.4	4.0	Y315L2-6	132/380
		740	58.0	146.1	80.0		Y355M2-6	185/380
		870	55.5	159.0	82.7		Y355M2-6	185/380
	730	324	34.4	47.1	64.4	2.5	Y315M-8	75/380
		551	32.2	60.4	80.0		Y315L1-8	90/380
		648	30.8	65.7	82.7		Y315L1-8	90/380

注：表中效率为采用填料轴封之值。

Note: The efficiency refers to the value when packing seal is used.

ZJ 型渣浆泵直联传动清水性能(7)

The Clear Water Performance of ZJ Slurry Pumps (Directly-Coupled Type)(7)

型号 Type	转速	流量	扬程	轴功率	效率	必需汽蚀	配套电机	
	Speed	Capacity	Head	Power of shaft	Eff.	余量	Motors	
	n	Q	H	Pa	η	(NPSH)r	型号 Type	功率/电压 Power/Voltage
	r/min	m3/h	m	kw	%	m		kw/V
300ZJ-I-A58	980	421	57.9	104.7	63.4	4.0	Y315L2-6	132/380
		715	54.2	133.6	79.0		Y355M1-6	160/380
		841	51.9	145.5	81.7		Y355M2-6	185/380
	730	313	32.1	43.2	63.4	2.5	Y315S-8	55/380
		533	30.1	55.3	79.0		Y315M-8	75/380
		626	28.8	60.1	81.7		Y315M-8	75/380
150ZJ-I-A71	980	284	93.8	133.9	54.2	4.0	Y355M1-6	160/380
		486	89.3	174.3	67.8		Y355L1-6	220/380
		552	87.1	188.4	69.5		Y355L1-6	220/380
	730	212	52.0	55.4	54.2	2.4	Y315M1-8	75/380
		362	49.6	72.1	67.8		Y315M2-8	90/380
		411	48.3	77.8	69.5		Y315M2-8	90/380
150ZJ-I-A70	980	186	91.2	95.4	48.4	3.0	Y315L2-6	132/380
		285	87.1	115.8	58.4		Y355M1-6	160/380
		401	79.8	139.9	62.3		Y355M2-6	185/380
	730	139	50.6	39.6	48.4	2.0	Y315S-8	55/380
		212	48.3	47.7	58.4		Y315M-8	75/380
		299	44.3	57.9	62.3		Y315M-8	75/380
150ZJ-I-A65	980	300	75.7	112.0	55.2	4.0	Y315L2-6	132/380
		500	73.0	144.1	69.0		Y355M2-6	185/380
		600	69.4	161.5	70.2		Y355M3-6	200/380
	730	223	42.0	46.2	55.2	2.5	Y315M-8	75/380
		372	40.5	59.5	69.0		Y315M-8	75/380
		447	38.5	66.8	70.2		Y315L1-8	90/380
150ZJ-I-A63	980	291	71.1	104.0	54.2	4.0	Y315L2-6	132/380
		485	68.6	133.2	68.0		Y355M1-6	160/380
		582	65.2	149.3	69.2		Y355M2-6	185/380
	730	216	39.5	42.9	54.2	2.5	Y315S-8	55/380
		361	38.0	54.9	68.0		Y315M-8	55/380
		433	36.2	61.7	69.2		Y315M-8	75/380

注：表中效率为采用填料轴封之值。

Note: The efficiency refers to the value when packing seal is used.

### ZJ 型渣浆泵直联传动清水性能(8)

The Clear Water Performance of ZJ Slurry Pumps (Directly-Coupled Type)(8)

型号 Type	转速	流量	扬程	轴功率	效率	必需汽蚀	配套电机	
	Speed	Capacity	Head	Power of shaft	Eff.	余量	Motors	
	n	Q	H	Pa	η	(NPSH)r	型号 Type	功率/电压 Power/Voltage
	r/min	m <sup>3</sup> /h	m	kw	%	m		kw/V
150ZJ-I-A60	980	270	63.5	80.2	58.2	3.8	Y315L1-6	110/380
		470	60.5	107.6	72.0		Y315L2-6	132/380
		550	58.7	117.9	74.6		Y355M1-6	160/80
	730	201	35.2	33.1	58.2	2.5	Y280M-8	45/380
		350	33.6	44.5	71.0		Y315S-8	55/380
		410	32.6	48.8	74.6		Y315M-8	75/380
150ZJ-I-A58	980	261	59.3	73.7	57.2	3.8	Y315M-6	90/380
		454	56.5	98.4	71.0		Y315L2-6	132/380
		532	54.9	108.1	73.6		Y315L2-6	132/380
	730	194	32.9	30.4	57.2	2.5	Y280S-8	37/380
		338	31.4	40.7	71.0		Y315S-8	55/380
		396	30.5	44.7	73.6		Y315S-8	55/380
150ZJ-I-C58	980	268	61.0	78.7	56.6	3.2	Y315L1-6	110/380
		458	56.0	105.5	66.2		Y355L2-6	132/380
		596	51.2	120.3	69.1		Y355M1-6	160/380
	730	200	33.8	32.5	56.6	2.0	Y280M-8	45/380
		341	31.1	43.6	66.2		Y315S-8	55/380
		444	28.4	49.7	69.1		Y315M-8	75/380
150ZJ-I-A57	980	190	56.3	63.2	46.1	2.9	Y315M-6	90/380
		301	55.4	77.6	58.5		Y315L1-6	110/380
		427	52.9	92.4	66.6		Y315L1-6	110/380
	730	142	31.2	26.2	46.1	1.8	Y280S-8	37/380
		224	30.7	32.0	58.5		Y280M-8	45/380
		318	29.4	38.2	66.6		Y315S-8	55/380
150ZJ-I-A55	980	248	53.4	65.3	55.2	3.5	Y315M-6	90/380
		431	50.8	86.4	69.0		Y315L1-6	110/380
		504	49.3	94.5	71.6		Y315L1-6	110/380
	730	184	29.6	26.9	55.2	2.3	Y280S-8	37/380
		321	28.2	35.7	69.0		Y280M-8	45/380
		376	27.4	39.2	71.6		Y315S-8	55/380

注：表中效率为采用填料轴封之值。

Note: The efficiency refers to the value when packing seal is used.

### ZJ 型渣浆泵直联传动清水性能(9)

The Clear Water Performance of ZJ Slurry Pumps (Directly-Coupled Type)(9)

型号 Type	转速	流量	扬程	轴功率	效率	必需汽蚀	配套电机	
	Speed	Capacity	Head	Power of shaft	Eff.	余量	Motors	
	n	Q	H	Pa	η	(NPSH)r	型号 Type	功率/电压 Power/Voltage
	r/min	m <sup>3</sup> /h	m	kw	%	m		kw/V
150ZJ-I-A50	980	230	43.1	42.6	63.3	3.0	Y280M-6	55/380
		380	40.0	55.2	75.0		Y315S-6	75/380
		460	37.8	61.7	76.8		Y315S-6	75/380
	730	171	23.9	17.6	63.3	2.5	Y250M-8	30/380
		283	22.2	22.8	75.0		Y250M-8	30/380
		343	21.0	25.5	76.8		Y280S-8	37/380
150ZJ-I-A48	980	221	39.7	38.4	62.3	3.0	Y280M-6	55/380
		365	36.9	49.6	74.0		Y315S-6	75/380
		442	34.8	55.3	75.8		Y315S-6	75/380
	730	164	22.0	15.8	62.3	2.5	Y225M-8	22/380
		272	20.5	20.5	74.0		Y250M-8	30/380
		329	19.4	22.9	75.8		Y250M-8	30/380
150ZJ-I-C42	1480	300	62.8	80.2	64.0	4.5	Y315S-4	110/380
		450	58.0	96.1	74.0		Y315M-4	132/380
		550	54.3	106.5	76.4		Y355M2-4	132/380
	980	199	27.5	23.3	64.0	2.2	Y225M-6	30/380
		298	25.4	27.9	74.0		Y250M-6	37/380
		364	23.8	30.9	76.4		Y280S-6	45/380
100ZJ-I-A50	1480	180	100.2	85.7	57.3	4.5	Y315S-4	110/380
		300	95.0	113.3	68.5		Y315M-4	132/380
		360	91.6	131.7	68.2		Y315L1-4	160/380
	980	119	43.9	24.8	57.3	2.5	Y225M-6	30/380
		199	41.7	33.0	68.5		Y280S-6	45/380
		238	40.2	38.2	68.2		Y280M-6	55/380
100ZJ-I-A46	1480	166	84.8	69.3	55.3	4.2	Y280M-4	90/380
		276	80.4	90.9	66.5		Y315S-4	110/380
		331	77.5	105.5	66.2		Y315M-4	132/380
	980	109	37.2	20.0	55.3	2.3	Y225M-6	30/380
		183	35.3	26.5	66.5		Y250M-6	37/380
		219	34.0	30.6	66.2		Y250M-6	37/380

注：表中效率为采用填料轴封之值。

Note: The efficiency refers to the value when packing seal is used.

ZJ 型渣浆泵直联传动清水性能(10)

The Clear Water Performance of ZJ Slurry Pumps (Directly-Coupled Type)(10)

型号 Type	转速	流量	扬程	轴功率	效率	必需汽蚀	配套电机	
	Speed	Capacity	Head	Power of shaft	Eff.	余量	Motors	
	n	Q	H	Pa	$\eta$	(NPSH)r	型号 Type	功率/电压 Power/Voltage
	r/min	m <sup>3</sup> /h	m	kw	%	m		kw/V
100ZJ-I-A42	1480	140	70.8	50.3	53.7	4.0	Y280S-4	75/380
		245	67.0	65.7	68.0		Y280M-4	90/380
		275	65.5	69.7	70.4		Y280M-4	90/380
	980	93	31.0	14.6	53.7	2.5	Y200L2-6	22/380
		162	29.4	19.1	68.0		Y225M-6	30/380
		182	28.7	20.2	70.4		Y225M-6	30/380
100ZJ-I-B42	1480	176	66.8	55.7	57.5	5.1	Y280S-4	75/380
		309	60.5	73.3	69.5		Y280M-4	90/380
		365	56.9	79.0	71.6		Y280M-4	90/380
	980	117	29.3	16.2	57.5	2.5	Y200L2-6	22/380
		205	26.5	21.3	69.5		Y225M-6	30/380
		242	24.9	22.9	71.6		Y225M-6	30/380
100ZJ-I-A39	1480	130	61.0	41.8	51.7	3.8	Y250M-4	55/380
		228	57.8	54.4	66.0		Y280S-4	75/380
		255	56.5	57.4	68.4		Y280S-4	75/380
	980	86	26.7	12.1	51.7	2.4	Y200L1-6	18.5/380
		150	25.4	15.7	66.0		Y200L2-6	22/380
		169	24.7	16.6	68.4		Y225M-6	30/380
100ZJ-I-A36	1480	130	49.5	28.9	60.7	3.5	Y225S-4	37/380
		220	45.0	38.0	71.0		Y250M-4	55/380
		245	43.4	40.4	71.6		Y250M-4	55/380
	980	86	21.7	8.4	60.7	2.0	Y180L-6	15/380
		146	19.7	11.0	71.0		Y180L-6	15/380
		162	19.0	11.7	71.6		Y200L1-6	18.5/380
100ZJ-I-A33	1480	119	41.6	23.0	58.7	3.2	Y200L-4	30/380
		202	37.8	30.1	69.0		Y225S-4	37/380
		225	36.5	32.1	69.6		Y225M-4	45/380
	980	79	18.2	6.7	58.7	1.8	Y160L-6	11/380
		134	16.6	8.8	69.0		Y180L-6	15/380
		149	16.0	9.3	69.6		Y180L-6	15/380

注：表中效率为采用填料轴封之值。

Note: The efficiency refers to the value when packing seal is used.

ZJ 型渣浆泵直联传动清水性能(11)

The Clear Water Performance of ZJ Slurry Pumps (Directly-Coupled Type)(11)

型号 Type	转速	流量	扬程	轴功率	效率	必需汽蚀	配套电机	
	Speed	Capacity	Head	Power of shaft	Eff.	余量	Motors	
	n	Q	H	Pa	$\eta$	(NPSH)r	型号 Type	功率/电压 Power/Voltage
	r/min	m <sup>3</sup> /h	m	kw	%	m		kw/V
80ZJ-I-A52	1480	107	109.8	82.5	38.8	4.3	Y315S-4	110/380
		182	105.5	100.6	52.0		Y315M-4	132/380
		242	99.0	115.9	56.3		Y315L1-4	160/380
	980	71	48.1	24.0	38.8	2.1	Y225M-6	30/380
		121	46.3	29.3	52.0		Y250M-6	37/380
		160	43.4	33.6	56.3		Y280S-6	45/380
80ZJ-I-A42	1480	130	70.4	41.8	59.6	4.2	Y250M-4	55/380
		170	67.2	47.9	65.0		Y280S-4	75/380
		204	64.2	53.5	66.7		Y280S-4	75/380
	980	86	30.9	12.1	59.6	2.5	Y200L1-6	18.5/380
		113	29.5	14.0	65.0		Y200L2-6	22/380
		135	28.1	15.5	66.7		Y200L2-6	22/380
80ZJ-I-A39	1480	121	60.7	34.7	57.6	4.0	Y225M-4	45/380
		158	57.9	39.5	63.0		Y250M-4	55/380
		180	55.4	44.1	64.7		Y250M-4	55/380
	980	80	26.6	10.1	57.6	2.4	Y180L-6	15/380
		105	25.4	11.5	63.0		Y200L1-6	18.5/380
		125	24.2	12.8	64.7		Y200L1-6	18.5/380
80ZJ-I-A36	1480	98	51.4	23.6	58.2	3.7	Y200L-4	30/380
		140	48.0	27.7	66.0		Y225S-4	37/380
		190	42.7	32.6	67.7		Y225M-4	45/380
	980	65	22.5	6.8	58.2	2.5	Y160L-6	11/380
		93	21.0	8.1	66.0		Y160L-6	11/380
		126	18.7	9.5	67.7		Y180L-6	15/380
80ZJ-I-A33	1480	90	43.2	18.8	56.2	3.4	Y200L-4	30/380
		128	40.3	21.9	64.0		Y200L-4	30/380
		174	35.9	25.9	65.7		Y225S-4	37/380
	980	60	18.9	5.5	56.2	2.2	Y160M-6	7.5/380
		85	17.6	6.4	64.0		Y160L-6	11/380
		116	15.7	7.5	65.7		Y160L-6	11/380
65ZJ-I-A30	1460	47	34.8	7.9	56.2	3.0	Y160M-4	11/380
		62	33.9	9.2	62.0		Y160L-4	15/380
		79	32.0	10.8	63.5		Y160L-4	15/380
	960	31	15.0	2.3	56.2	2.0	Y132M1-6	4/380
		41	14.7	2.6	62.0		Y132M2-6	5.5/380
		52	13.8	3.1	63.5		Y132M2-6	5.5/380

注：表中效率为采用填料轴封之值。

Note: The efficiency refers to the value when packing seal is used.

ZJ 型渣浆泵直联传动清水性能(12)

The Clear Water Performance of ZJ Slurry Pumps (Directly-Coupled Type)(12)

型号 Type	转速	流量	扬程	轴功率	效率	必需汽蚀	配套电机	
	Speed	Capacity	Head	Power of shaft	Eff.	余量	Motors	
	n	Q	H	Pa	η	(NPSH)r	型号 Type	功率/电压 Power/Voltage
	r/min	m <sup>3</sup> /h	m	kw	%	m		kw/V
65ZJ-I-A27	1460	42	28.2	6.0	54.2	2.7	Y160M-4	11/380
		56	27.5	7.0	60.0		Y160M-4	11/380
		71	25.9	8.1	61.5		Y160M-4	11/380
960	28	12.2	1.7	54.2	1.8	Y132S-6	3/380	
	37	11.9	2.0	60.0		Y132M1-6	4/380	
	47	11.2	2.3	61.5		Y132M1-6	4/380	
50ZJ-I-A50	1480	57	110.7	50.7	33.9	3.8	Y280S-4	75/380
		91	105.5	60.9	42.9		Y280S-4	75/380
		111	99.8	66.9	45.1		Y280M-4	90/380
980	38	48.5	14.8	33.9	3.0	Y200L2-6	22/380	
	60	46.3	17.6	42.9		Y225M-6	30/380	
	74	43.8	19.6	45.1		Y225M-6	30/380	
50ZJ-I-A46	1480	48	85.8	34.8	32.2	2.9	Y225M-4	45/380
		77	82.3	41.4	41.7		Y250M-4	55/380
		94	79.9	45.8	44.7		Y250M-4	55/380
970	31	36.9	9.7	32.2	1.4	Y180L-6	15/380	
	50	35.4	11.6	41.7		Y180L-6	15/380	
	62	34.3	13.0	44.7		Y200L1-6	18.5/380	
50ZJ-I-A33	1480	26	42.5	9.2	32.8	6.0	Y160L-4	15/380
		40	40.0	10.7	40.6		Y180M-4	18.5/380
		54	34.5	12.3	41.4		Y180M-4	18.5/380
960	17	17.9	2.5	32.8	2.9	Y132M1-6	4/380	
	26	16.8	2.9	40.6		Y132M2-6	5.5/380	
	35	14.5	3.3	41.4		Y132M2-6	5.5/380	
40ZJ-I-A19	2930	16.3	57.1	6.5	39.2	4.9	Y160M1-2	11/380
		30.0	54.9	8.1	55.4		Y160M1-2	11/380
		34.9	53.7	8.7	58.8		Y160M1-2	11/380
1430	8.0	13.6	0.8	39.2	1.3	Y900L-4	1.5/380	
	14.6	13.1	0.9	55.4		Y900L-4	1.5/380	
	17.0	12.8	1.0	58.8		Y100L1-4	2.2/380	
40ZJ-I-A17	2900	9.4	44.6	3.5	33.2	4.5	Y132S1-2	5.5/380
		17.9	42.7	4.3	49.5		Y132S2-2	7.5/380
		23.4	39.3	4.9	52.4		Y132S2-2	7.5/380
1400	4.5	10.3	0.4	33.2	2.5	Y801-4	0.55/380	
	8.6	9.9	0.5	49.5		Y90S-4	1.1/380	
	11.3	9.1	0.5	52.4		Y90S-4	1.1/380	

注：表中效率为采用填料轴封之值。

Note: The efficiency refers to the value when packing seal is used.

ZJL 型渣浆泵清水性能(1)

The Clear Water Performance of ZJL Slurry Pumps (1)

型号 Type	转速	流量	扬程	轴功率	效率	配套电机 Motors
	Speed	Capacity	Head	Power of shaft	Eff.	
	n	Q	H	Pa	η	
	r/min	m <sup>3</sup> /h	m	kw	%	
150ZJL-A35	980	198	17.9	15.3	63.1	Y250M-6 V1 380V 37kW
		332	13.2	17.5	68.1	
		364	12.1	18.0	66.8	
730	147	10.0	6.3	63.1	Y200L-8 V1 380V 15kW	
	247	7.3	7.2	68.1		
	271	6.7	7.4	66.8		
590	119	6.5	3.3	63.1	Y160L-6 B3 380V 11kW	
	200	4.8	3.8	68.1		
	219	4.4	3.9	66.8		
100ZJL-A34	1480	157	36.8	26.1	60.2	Y225M-4 V1 380V 45kW
		214	32.6	29.2	65.1	
		293	24.4	33.5	58.2	
970	103	15.8	7.4	60.2	Y180L-6 V1 380V 15kW	
	140	14.0	8.2	65.1		
	192	10.5	9.4	58.2		
80ZJL-A36	1480	105	45.5	25.0	52.1	Y225M-4 V1 380V 45kW
		144	41.4	27.9	58.2	
		201	32.5	32.8	54.2	
970	69	19.5	7.0	52.1	Y180L-6 V1 380V 15kW	
	94	17.8	7.8	58.2		
	132	14.0	9.3	54.2		
65ZJL-A30	1470	38	34.7	8.2	43.7	Y180M-4 V1 380V 18.5kW
		58	31.9	9.7	51.9	
		98	26.0	13.4	51.7	
960	25	14.8	2.3	43.7	Y132M2-6 B5 380V 5.5kW	
	38	13.6	2.7	51.9		
	64	11.1	3.7	51.7		
50ZJL-A20	1440	17.1	10.7	1.4	34.9	Y112M-4 B5 380V 4kW
		24.7	9.2	1.6	38.6	
		38.0	6.0	2.0	31.2	
910	10.8	4.3	0.4	34.9	Y90L-6 B5 380V 1.1kW	
	15.6	3.7	0.4	38.6		
	24.0	2.4	0.5	31.2		

产品图片

Products Pictures



The Authentication Certificate  
Of Quality Management System

Shijiazhuang Minerals Equipment Co., Ltd

Address: No. 688 Zhongshan West Road, Shijiazhuang. P.C.: 050011

According to your organization's application, our center carried out audit and certification in accordance with the requirements for *Quality Management System* (GB/T19001-2008 idt. ISO9001:2008), through the assessment, it is accords with the requirements which set up the quality management system.

The scope of the certified QMS is:

Sales and after-sale service of slurry pump, valve, minerals equipment etc (facility and equipment of public security is excluded), as well as their parts.

Registration No. of Certificate: 05310Q11718R0S  
Date of the Awarded Certificate: 20-8-2010  
Term of the Certificate's Validity: 20-8-2010-19-8-2013  
Date of the First Authentication: 20-8-2010

The certificate organization should be accepted oversight and audit in the valid of period of 3 years meanwhile if the oversight and audit are all qualified, the certificate will sustained and effective.  
Please login [www.ngv.org.cn](http://www.ngv.org.cn) to verify the state of the certificate.



Beijing NGV Certification Center

Director: *Zengjian*

Address of Certification Authority: F18, Building C, Focus Square, Futong East Street, Chaoyang District, Beijing.  
Tel: 010-84785070 P.C.: 100102 [Http://www.ngv.org.cn](http://www.ngv.org.cn)